

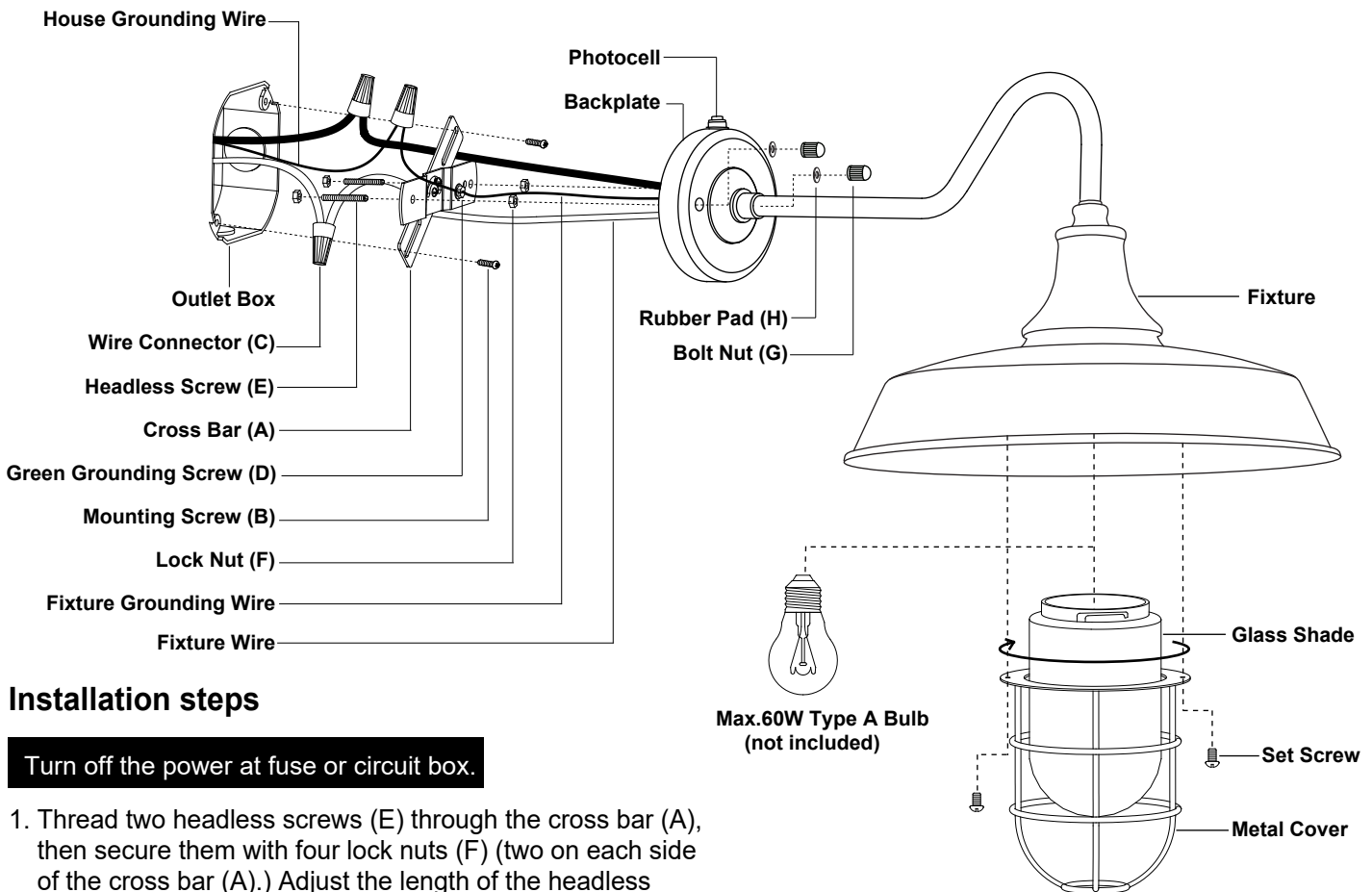
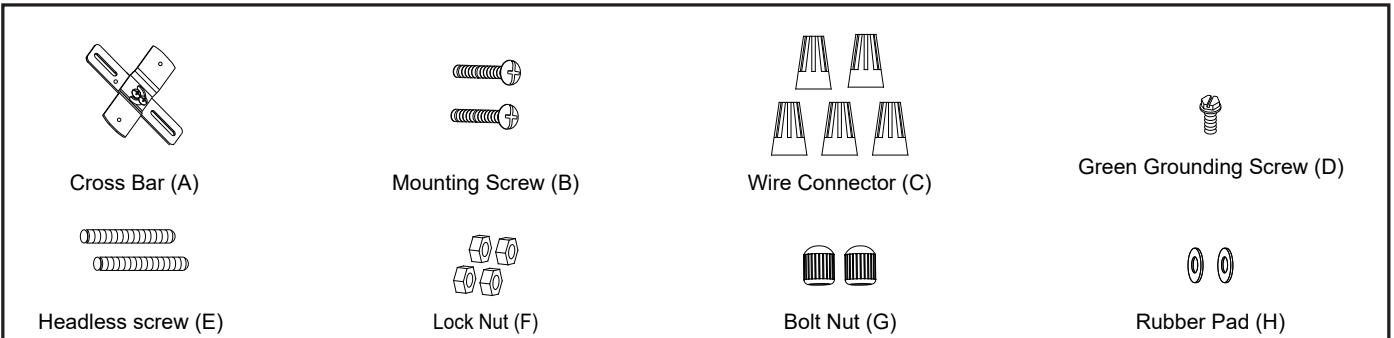
# ASSEMBLY AND INSTALLATION INSTRUCTIONS

T0571

**WARNING: Turn off the main power at circuit breaker before installing fixture.**  
**AVERTISSEMENT: Coupez la source d'alimentation principale au panneau central de disjoncteurs avant d'installer le luminaire.**

**NOTE: 1. Before installing, consult local electrical codes for wiring and grounding requirements.**  
**2. READ AND SAVE THESE INSTRUCTIONS.**

## Hardware Package (included):



## Installation steps

Turn off the power at fuse or circuit box.

1. Thread two headless screws (E) through the cross bar (A), then secure them with four lock nuts (F) (two on each side of the cross bar (A).) Adjust the length of the headless screws (E) if necessary.

**Note: Make sure the headless screws are lined up horizontally to make the fixture level.**

2. Attach the cross bar (A) to the outlet box by using two mounting screws (B).

3. Pull out the source wires from the outlet box. Make wire connections using wire connectors (C) as follows:
  - Connect the hot wire (usually black insulation) from the fixture to the black wire from the power source.
  - Connect the neutral wire (usually white insulation) from the fixture to the white wire from the power source.
  - Attach the fixture grounding wire (usually green insulation or bare wire) to the cross bar (A) with the green grounding screw (D). Then, depending on local code connect it to the house grounding wire with the wire connector (C).

Carefully put all of the wires back into the outlet box.

4. Attach the backplate of the fixture to the cross bar (A) by aligning and inserting the two headless screws (E) from the cross bar (A) into the open holes on the backplate, then place the two rubber pads (H) over the exposed headless screws (E) before screwing the two bolt nuts (G).

**Note: With silicone caulking compound, caulk completely around where the backplate meets with the wall surface to prevent water from seeping into the outlet box.**

5. Install bulb (not included).

Check relamping label at socket area or packaging for maximum wattage allowed .

6. Place the glass shade on the fixture carefully and rotate the glass shade to hold it in place, then attach the metal cover to the fixture by using the two set screws.

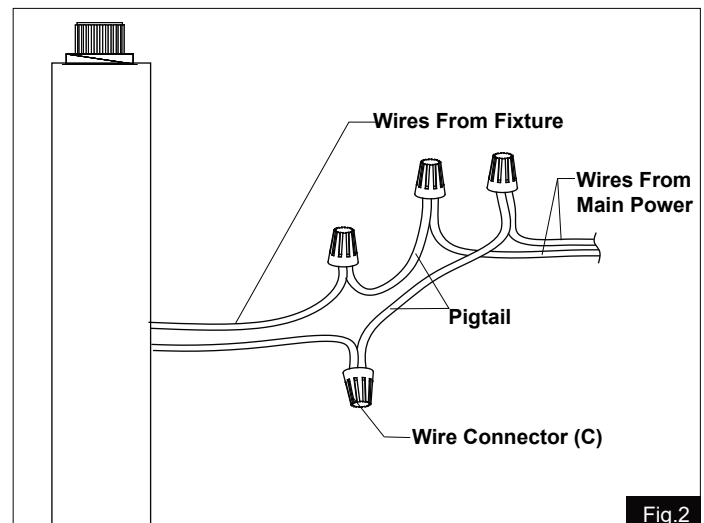
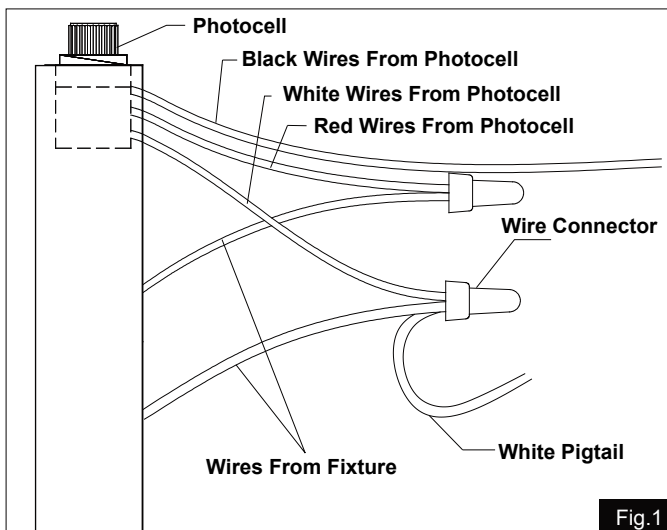
Turn on the power at fuse or circuit box.

## Optional Installation: Disconnect Dusk-to-Dawn Photocell

### IMPORTANT:

Compatible with dimmer when photocell is disconnected.

\* Requires dimmable bulb and compatible dimmer switch.



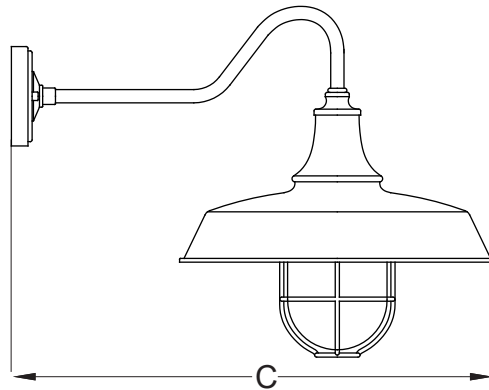
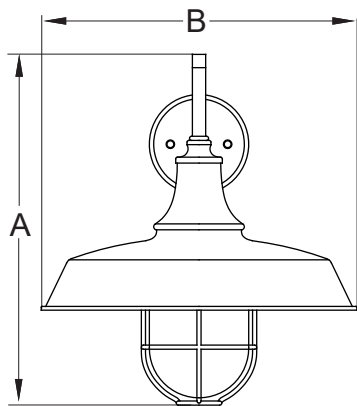
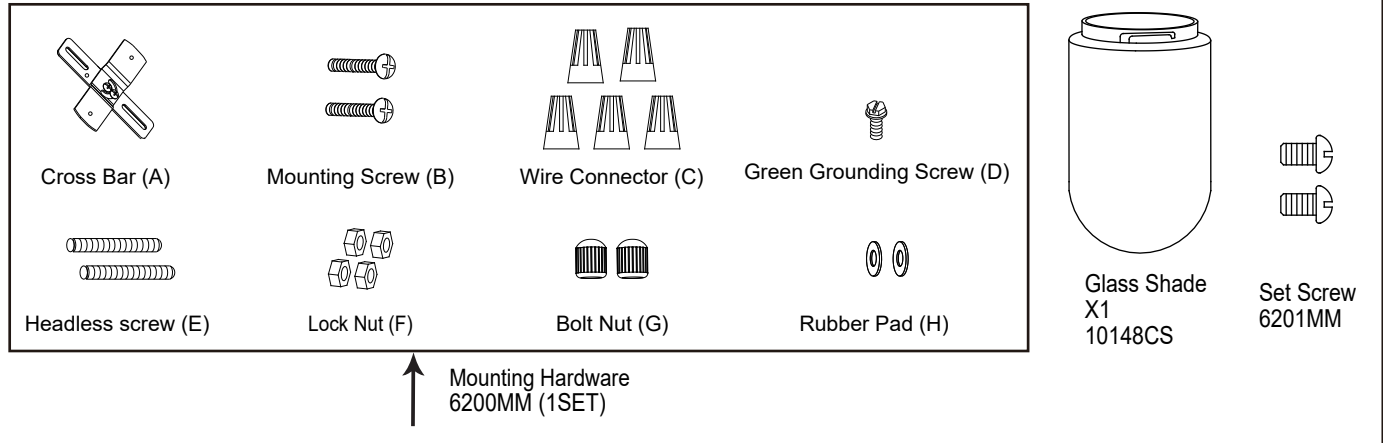
1. Turn off the power at the fuse or circuit box before starting installation.
2. Loosen the wire connectors connected with the wires from photocell. (See Fig.1)
 

**Note: Do not remove the photocell to prevent water from seeping into the outlet box.**
3. Take a white pigtail and black pigtail and make wire connections using wire connectors (C): (See Fig.2)
  - a. The black wire from the fixture to one end of the black pigtail.
  - b. The white wire from the fixture to one end of the white pigtail.
  - c. The other end of the black pigtail to the black wire from the power source.
  - d. The other end of the white pigtail to the white wire from the power source.
 Put all wires back into the backplate of the fixture.

Turn on the power at fuse or circuit box.

The following parts are available for re-order if damaged or missing.

**Spare Parts List:**



**A: 16-3/4"**

**B: 15"**

**C: 23"**

**5 Year Limited Warranty**

Vaxcel warrants all of our products against defects in workmanship and finishes for one year following the date of shipment.

In addition:

- Any product with an integrated motion sensor or dusk-to-dawn photocell is supported by a 5-year warranty for the functionality of the product.
- Any product with integrated LED modules is covered by a 5-year warranty on the LED functionality.

*Exclusions: This warranty does not include the failure of products from extreme acts of nature; environmental conditions not suited for the products intended use; operation in temperatures outside of the range specified in the instruction manual; usage with improper power supply, power surges or dips. For coastal locations, some corrosion is considered normal for the environment.*

*Vaxcel reserves the right to repair, replace or issue a credit for any properly installed product, provided it is returned per RMA instruction. This warranty is limited to the cost of the product only and does not extend to transportation, installation or replacement costs.*

How can warranty service be obtained?

info@vaxcel.com  
1-800-482-9235