



ORIGINAL VAXCEL CEILING FAN LIMITED LIFETIME WARRANTY*

**for full limited lifetime warranty details please see final page of these instructions.*

Model No.: F0097 F0111 F0112

Safety Instructions

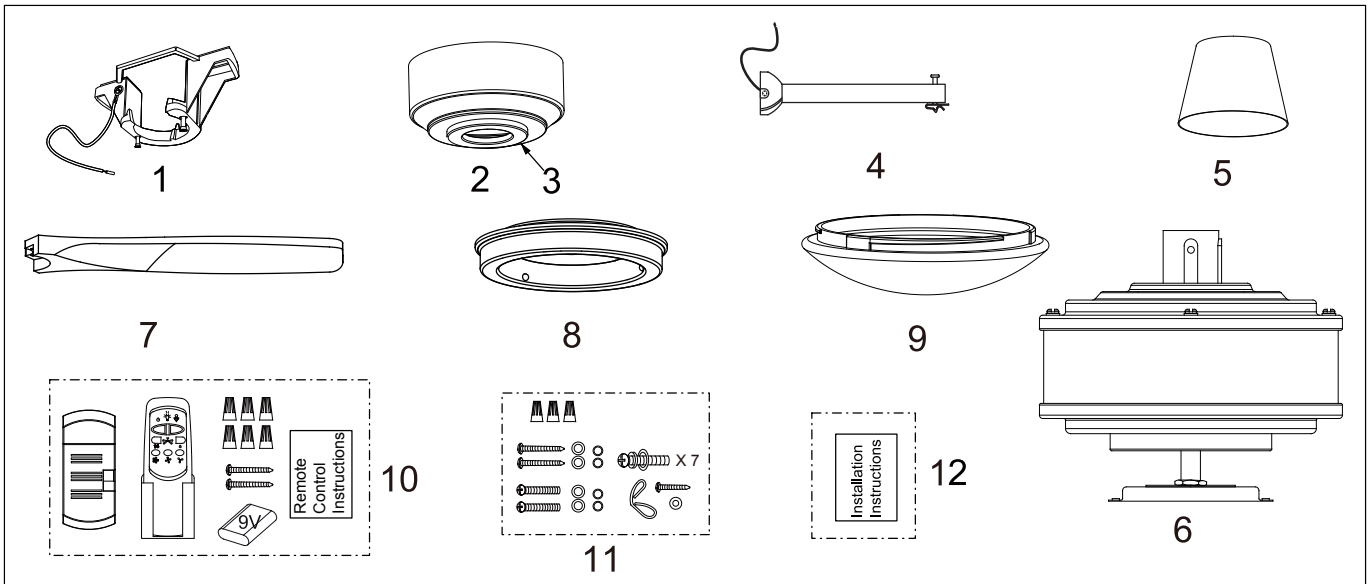
READ ALL SAFETY INFORMATION AND INSTALLATION INSTRUCTIONS BEFORE YOU BEGIN TO INSTALL THE FAN AND SAVE INSTRUCTIONS.

- All set screws of the fan must be checked and retightened where necessary before installation.
- To reduce the risk of personal injury, do not bend the blade brackets when installing the brackets, balancing the blades or cleaning the fan. Do not insert foreign objects between rotating fan blades.
- Before changing the fan direction, turn off the fan and wait for the fan blades to stop completely.
- The safeguards provided by these safety instructions and by the separate installation instructions are not meant to cover all possible conditions and situations that may occur. It must be understood that common sense, caution and care are factors which can not be built into this product.
- These factors must be supplied by the person(s) installing, caring for and operating the fan.

WARNING

- TO AVOID RISK OF ELECTRIC SHOCK, BE SURE TO SHUT OFF POWER AT THE MAIN FUSE OR CIRCUIT BREAKER BOX BEFORE INSTALLING OR SERVICING THIS FIXTURE. TURNING OFF THE ELECTRICAL POWER BY USING THE LIGHT SWITCH IS NOT SUFFICIENT TO PREVENT ELECTRICAL SHOCK.
- TO REDUCE THE RISK OF INJURY, INSTALL THE FAN SO THAT THE BLADES ARE AT LEAST 7 FEET (2.1 METERS) ABOVE THE FLOOR AND AT LEAST 18 INCHES (0.5 METERS) FROM THE TIP OF THE BLADES TO THE WALL.
- TO REDUCE THE RISK OF FIRE, ELECTRIC SHOCK, OR PERSONAL INJURY, MOUNT TO OUTLET BOX MARKED "ACCEPTABLE FOR FAN SUPPORT" AND USE MOUNTING SCREWS PROVIDED WITH THE OUTLET BOX.
- THE INSTALLATION HAS TO BE IN ACCORDANCE WITH THE NATIONAL ELECTRICAL CODE, ANSI/NFPA 70-1999 AND LOCAL CODES. IF YOU ARE UNFAMILIAR WITH THE METHODS OF INSTALLING ELECTRICAL WIRING, SEEK THE SERVICES OF A QUALIFIED LICENSED ELECTRICIAN.
- CETL LISTED FOR DAMP LOCATIONS; FOR USE IN COVERED PORCHES PATIOS OR SUNROOMS WHERE RAIN OR WATER WILL NOT REACH THE CEILING FAN.

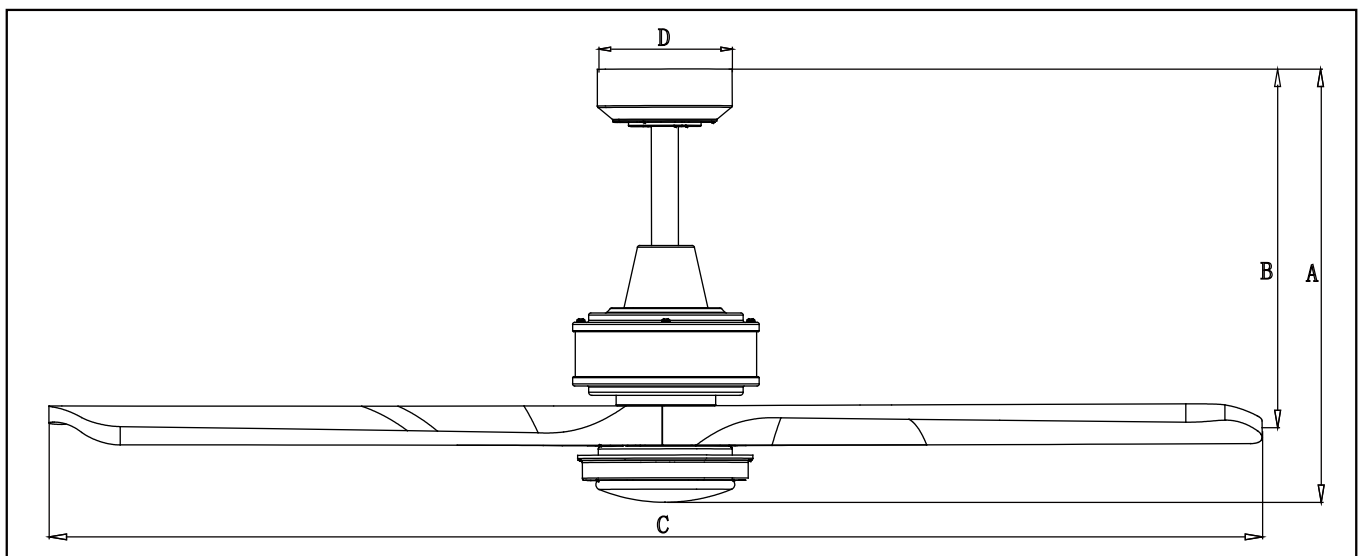
Package Contents:



Unpack your fan and check the contents. You should have the following items.

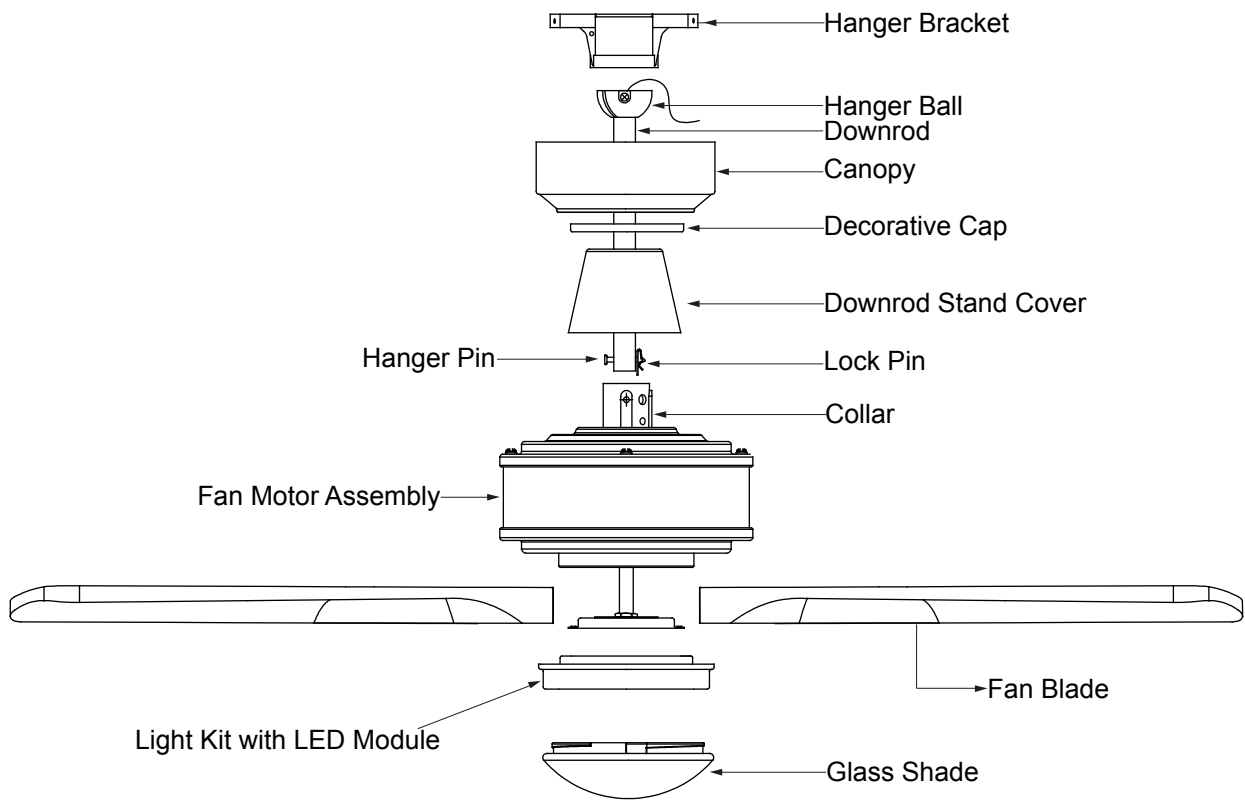
- 1.) Hanger Bracket
- 2.) Canopy
- 3.) Decorative Cap (Remove the Preassembled Decorative Cap from the Canopy Before Installation.)
- 4.) Downrod Set (Included Hanger Ball, 6" Downrod, Hanger Pin & Lock Pin)
- 5.) Downrod Stand Cover
- 6.) Fan Motor Assembly
- 7.) Fan Blades (3 PCS)
- 8.) Light Kit with LED Module
- 9.) Glass Shade
- 10.) Remote Control Set (Includes Receiver & Transmitter & Wire Connectors & Battery & Screws & Remote Control Instructions)
- 11.) Assembly Kit
- 12.) Installation Instructions

Dimension Reference (Installed with 6" Downrod)

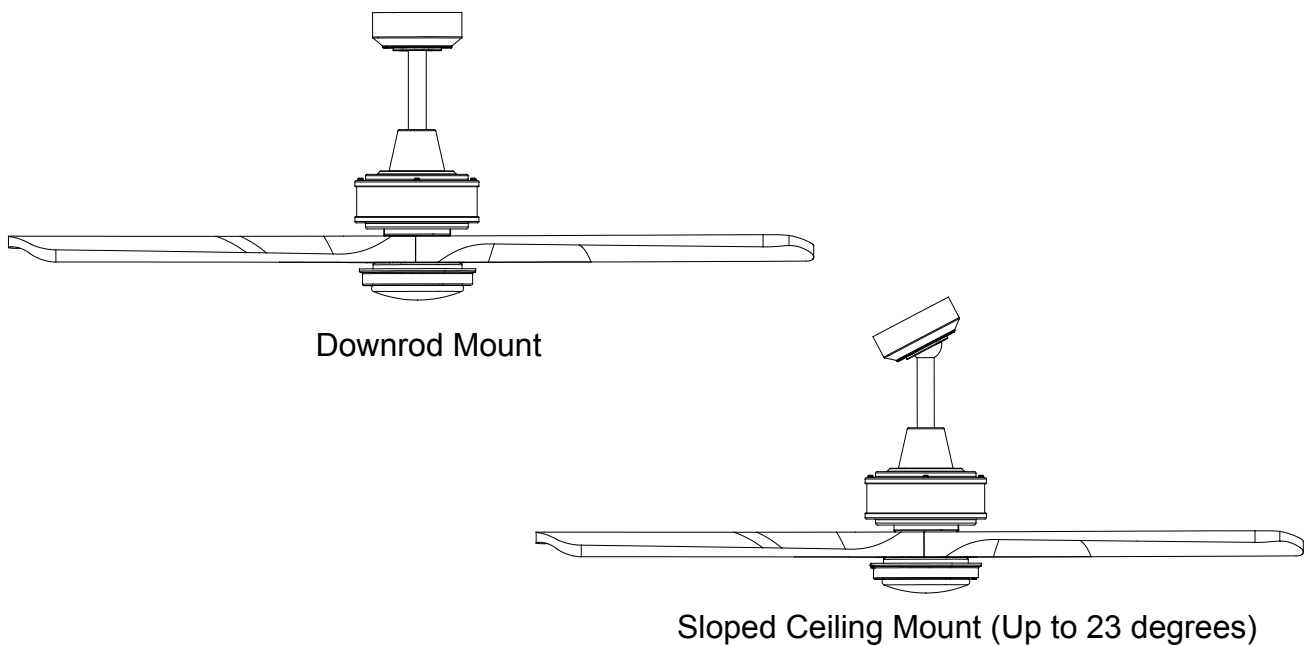


A. 16-1/4" B. 12-3/4" C. 52" D. 5"

Exploded View Detail



Dual Mount Drawing



INSTALLATION INSTRUCTIONS

IMPORTANT:

- BEFORE YOU BEGIN INSTALLATION, CAREFULLY READ ALL INFORMATION PROVIDED IN THE SAFETY INSTRUCTIONS AND INSTALLATION INSTRUCTIONS. IF IN DOUBT, CONSULT A QUALIFIED ELECTRICIAN.
- SAVE ALL INSTRUCTIONS.

NOTE: The fan weight is 14.99lbs (6.8 kgs). Be sure the outlet box you are using is securely attached to the building structure and can support the full weight of the fan. Failing to do so can result in serious injury.

Installation Steps :

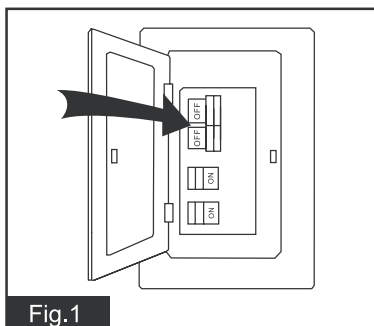


Fig.1

Turn OFF the electric circuit at the main fuse or circuit breaker box.

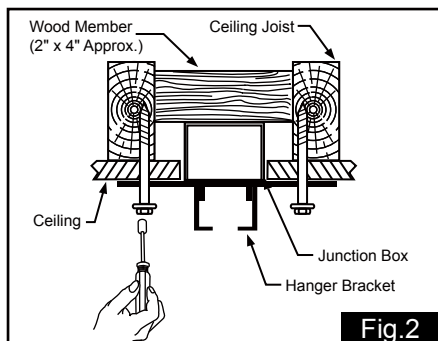


Fig.2

Tighten the hanger bracket to the outlet box with two mounting screws. **(Make sure the outlet box is securely installed so that it will be able to support at least the fan weight.)** Attach the safety cable hook to the ceiling with the drywall screw and washer, and make sure the safety cable hook is covered by the fan canopy. **WARNING: MOUNT ONLY TO AN OUTLET BOX MARKED "ACCEPTABLE FOR FAN SUPPORT"!**

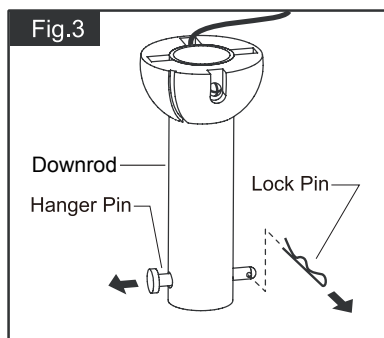
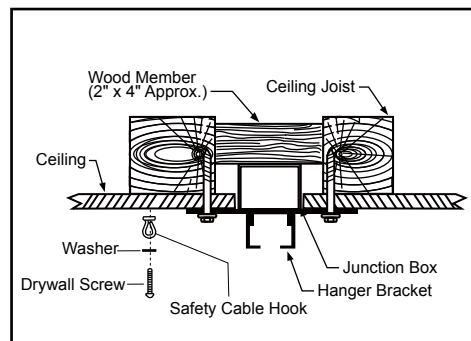


Fig.3

Remove the lock pin from the hanger pin and remove the hanger pin from the downrod.

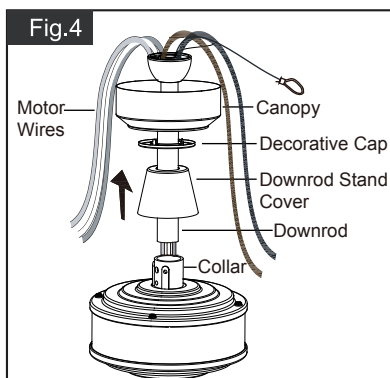


Fig.4

Thread the motor wires through the canopy, decorative cap (Making sure the smooth side of decorative cap is facing downward), downrod stand cover and downrod.

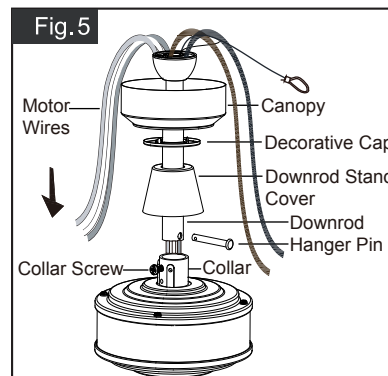


Fig.5

Loosen the collar screws out part way. Insert the downrod into the collar. Slide hanger pin through holes of collar and downrod.

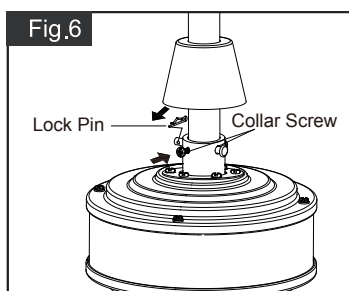


Fig.6

Tighten the two collar screws. Slide lock pin in to hanger pin until it is locked into position.

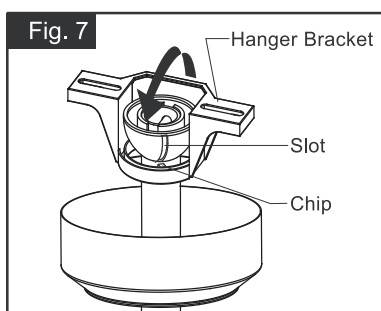
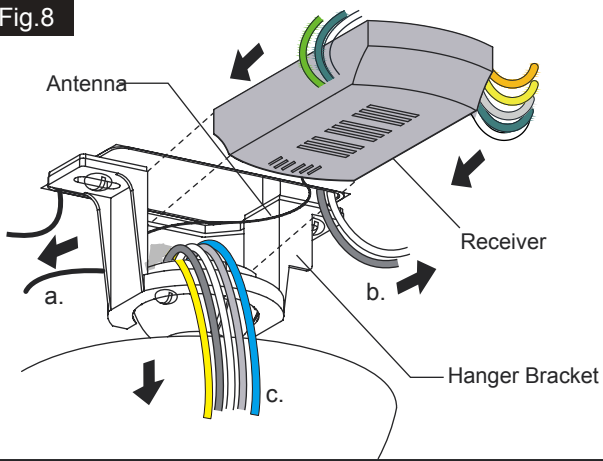


Fig.7

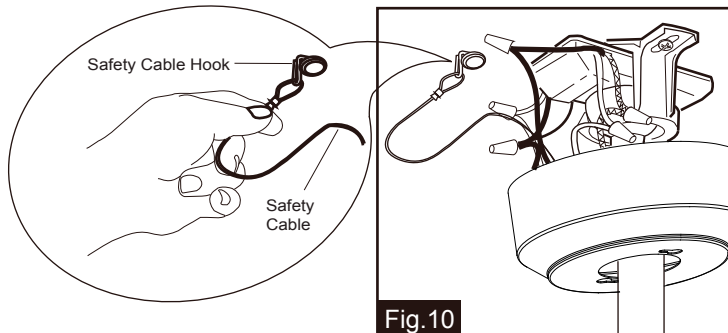
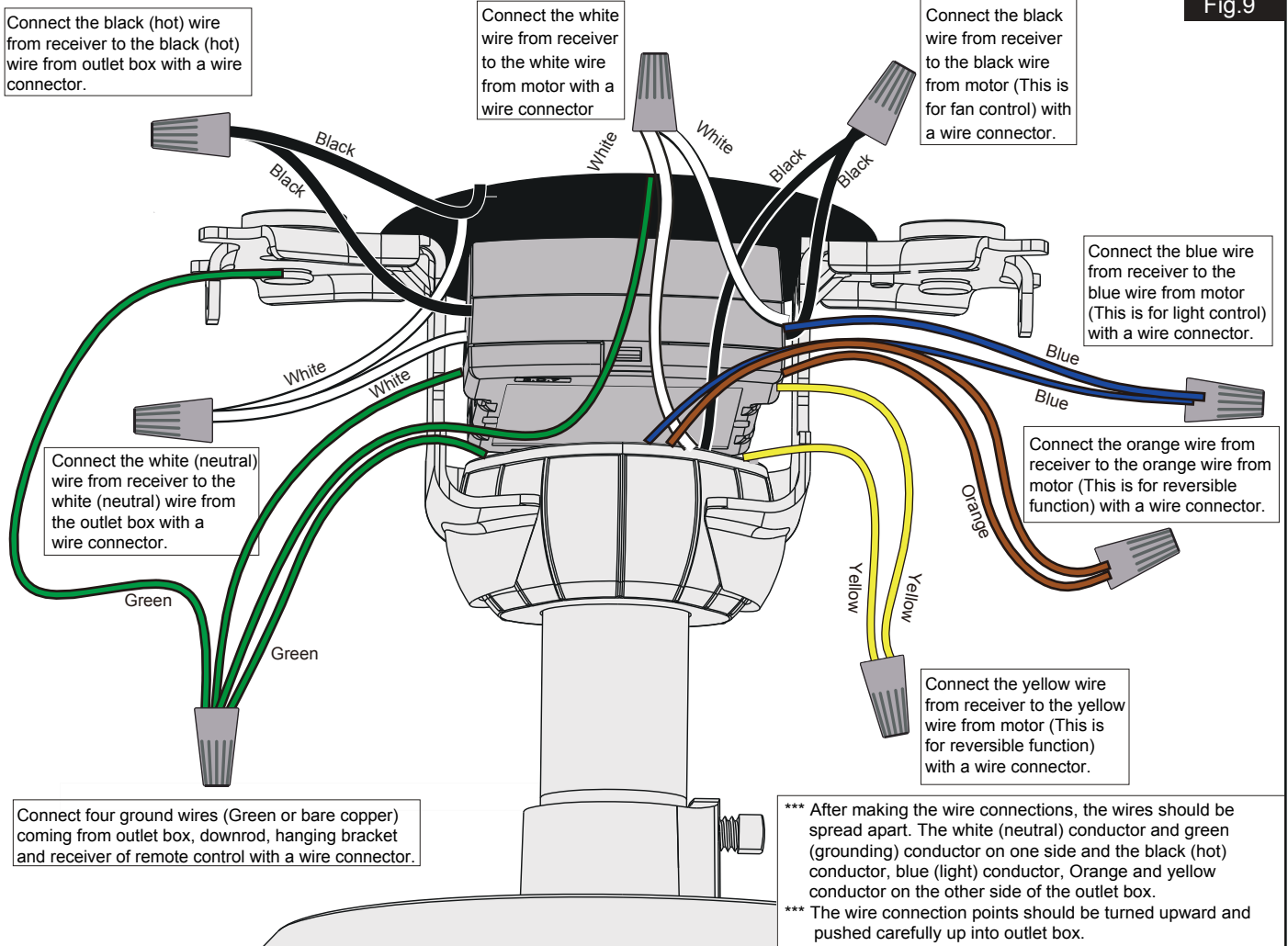
Hang the fan on hanger bracket, and make sure the slot of hanger ball is snapped into the chip of hanger bracket exactly. **Note: For sloped ceiling installation, make sure the slot of hanger ball and the chip of hanger bracket face down.**

Fig.8

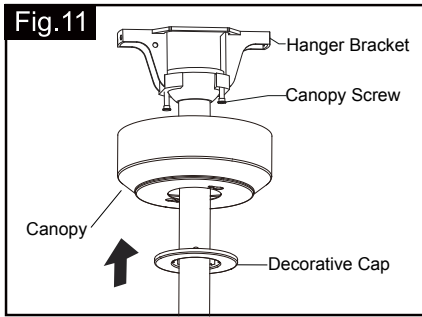


Move ground wires (a), outlet box wires (b), and motor wires (c) away from the center of the hanger bracket as shown. Thread the antenna through the hanger bracket first, then thread the receiver through the hanger bracket until it is placed in the center. Finally, cut motor wires (c) to length needed for connections.

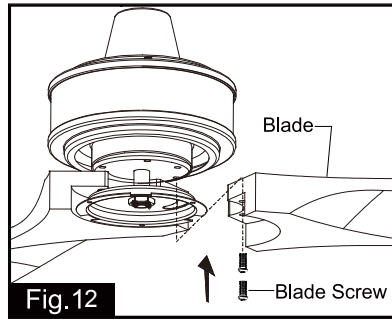
Fig.9



Hang the safety cable into the safety cable hook.

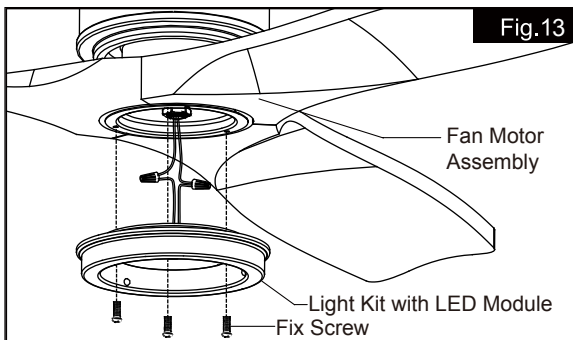


Slide the canopy up to ceiling and over the two canopy screws on hanger bracket. Rotate canopy clockwise, next, while holding the canopy with one hand, slide the decorative cap over the screws and rotate clockwise until tight.
Note: Adjust the canopy screws as necessary until the canopy and decorative cap are snug.

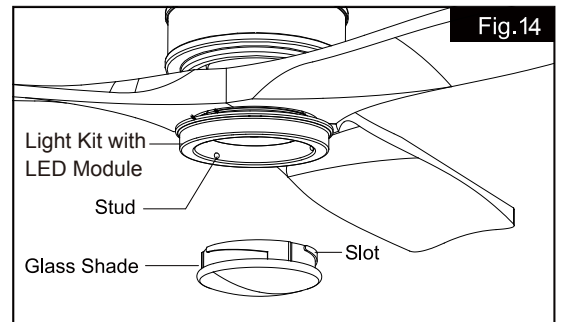


Attach blades to blade brackets by using blade screws. (Do not lock the two blades that are installed first, and lock them together after the third blade is installed.)

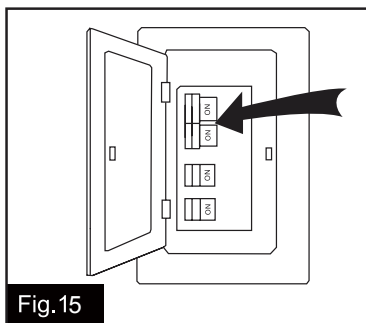
Install fan light



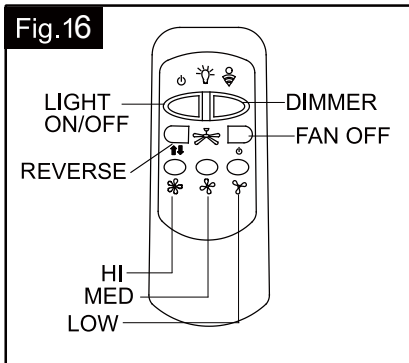
Remove three fix screws from fan motor assembly first. Then connect the white (neutral) wire from the light kit to white (neutral) wire from fan motor assembly with a wire connector; connect the black (hot) wire from light kit to blue (hot) wire from fan motor assembly with a wire connector. Carefully put the wires into the bottom of fan motor assembly, then attach the light kit onto the connect plate of light kit with previous three fix screws.



Attach the glass shade to the light kit by aligning studs and slots, and turn it clockwise until it is locked in place.



Turn ON the electric circuit at the main fuse or circuit breaker box.



Install the battery (9V, included) into the transmitter.

- * Press "HI" button to turn on the fan at high speed.
- * Press "MED" button to turn the fan in medium speed.
- * Press "LOW" button to turn the fan in low speed.
- * Press "FAN OFF" button to turn off the fan.
- * Press "REVERSE" button to set direction of fan rotation.

The fan will shift to high speed regardless of which fan speed was previously selected. Then, the speed will slow down until the fan is turned off and it will restart by spinning in the reverse direction and resume the previously selected speed setting.

- * Press "LIGHT ON/OFF" button to turn on or turn off the light.
- * Press "DIMMER" button to dim or brighten lights to the desired level and release, and the brightness level will be memorized. Turn on the light again, then fan light will be restored to the brightness-level at which was dimmed last time.

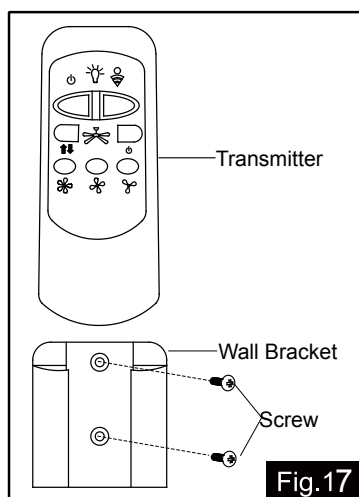
Note:

This remote controller has a memory function setting. The fan will operate at the same speed and the fan light will stay at the same brightness-level as the last time the power supply was turned off.

Set the code:

Within the 10 seconds time frame after the main power is turned on, press and hold FAN OFF button more than 3 seconds. The LED light will begin to flash will begin to flash. Once set code successful, the fan turned off and the light turned on.

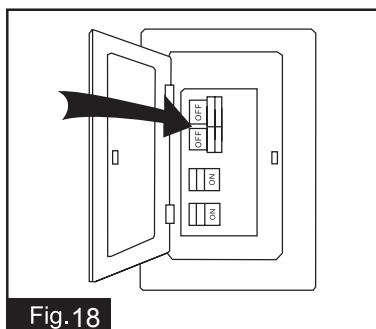
Note: Included transmitter matched with receiver was the factory default settings, no need to set the code again. Go through these setup steps if you found your transmitter can't match with receiver.



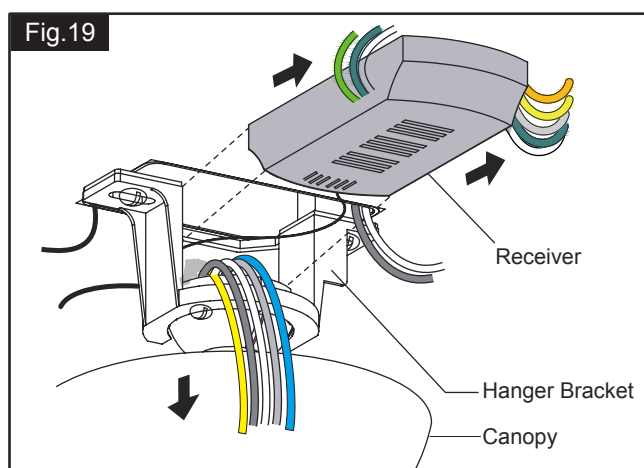
Install the transmitter wall bracket on the wall with two screws and place transmitter in it carefully.

Install Without Remote Controller

Note: Remote controller can not be used along with a solid-state speed control at the same time.



Turn OFF the electric circuit at the main fuse or circuit breaker box. (See Fig.18)



Unscrew the canopy. Remove the wire connectors from the fan to ceiling wire connection. The receiver should be removed from the hanger bracket. (See Fig.19)

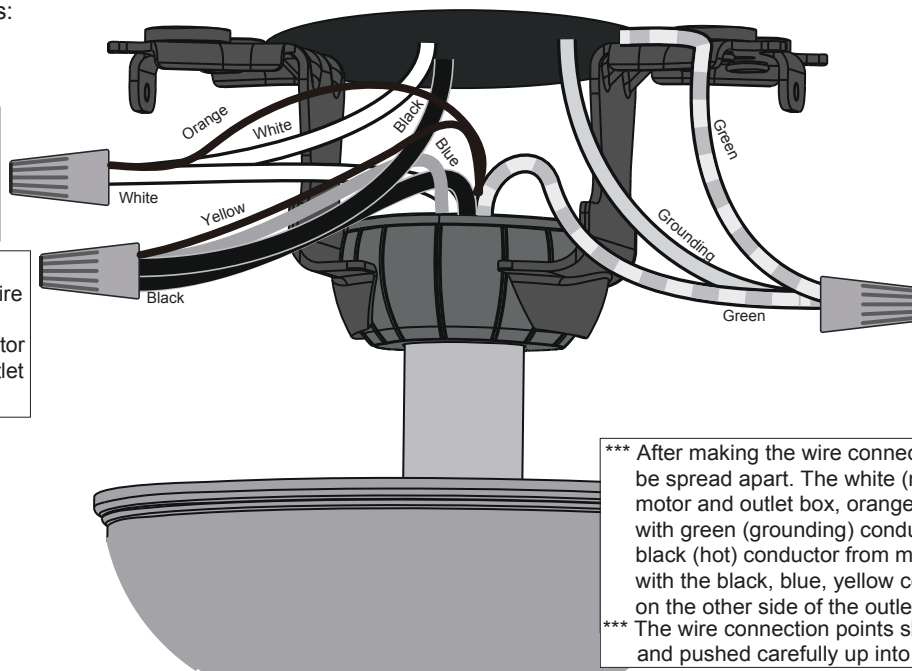


For a single switch
Follow these steps:

Connect the white (neutral) wire and orange reversible wire from motor to the white (neutral) wire from the outlet box with a wire connector.

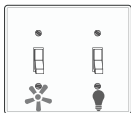
Connect the black (hot) wire (This is for fan control), blue wire (This is for light control) and yellow reversible wire from motor to the black (hot) wire from outlet box with a wire connector.

Connect three ground wires (Green or bare copper) coming from outlet box, downrod and hanging bracket with a wire connector.



*** After making the wire connections, the wires should be spread apart. The white (neutral) conductor from motor and outlet box, orange conductor from motor with green (grounding) conductor on one side; the black (hot) conductor from motor and outlet box with the black, blue, yellow conductor from motor on the other side of the outlet box.
*** The wire connection points should be turned upward and pushed carefully up into outlet box.

Fig.20



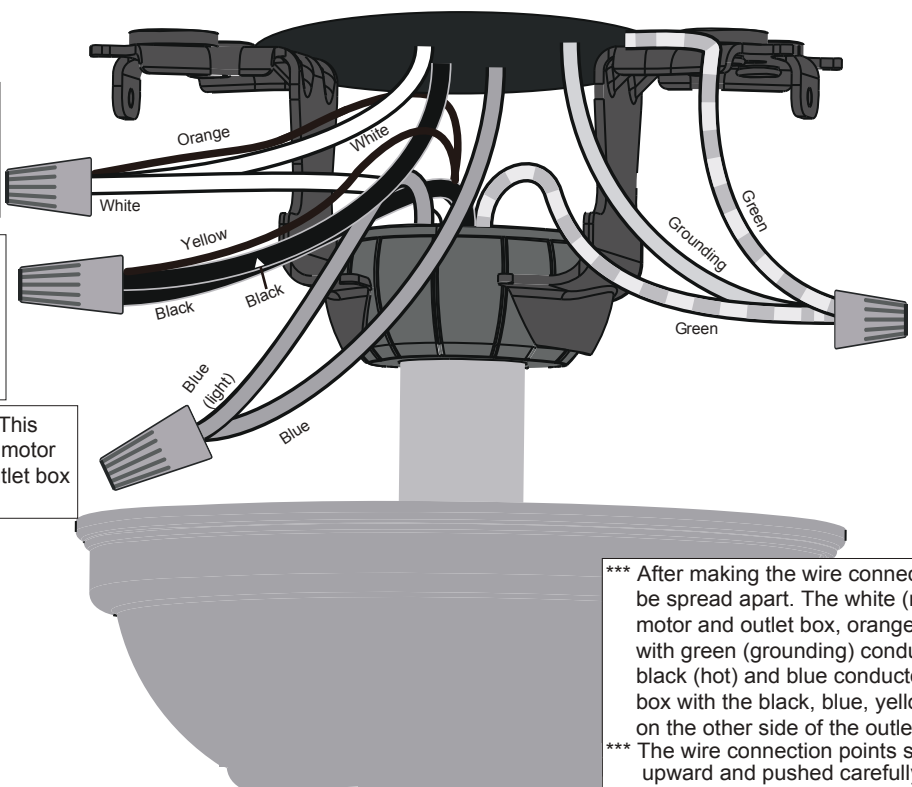
For dual switches
Follow these steps:

Connect the white (neutral) wire and orange reversible wire from motor to the white (neutral) wire from the outlet box with a wire connector.

Connect the black (hot) wire (This is for fan control) and yellow reversible wire from motor to the black (hot) wire from outlet box with a wire connector.

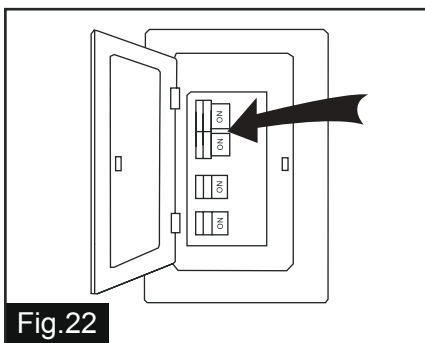
Connect the blue wire (This is for light control) from motor to the blue wire from outlet box with a wire connector.

Connect three ground wires (Green or bare copper) coming from outlet box, downrod and hanging bracket with a wire connector.



*** After making the wire connections, the wires should be spread apart. The white (neutral) conductor from motor and outlet box, orange conductor from motor with green (grounding) conductor on one side; the black (hot) and blue conductor from motor and outlet box with the black, blue, yellow conductor from motor on the other side of the outlet box.
*** The wire connection points should be turned upward and pushed carefully up into outlet box.

Fig.21



Turn ON the electric circuit at the main fuse or circuit breaker box.

Fig.22

Troubleshooting Guide

If you have difficulty operating your new ceiling fan, it may be the result of incorrect assembly, installation or wiring. In some cases, these installation errors may be mistaken for defects. If you experience any faults, please check this Troubleshooting Guide. If a problem cannot be remedied or you are experiencing difficulty in installation, please call our Customer Service Department (1-800-482-9235).

PROBLEM	SUGGESTED REMEDY
1. If fan does not start:	<ol style="list-style-type: none">1. Check main and branch circuit fuses or circuit breakers.2. Check line wire connections to fan and switch wire connections in switch housing. CAUTION: Make sure main power is turned off.3. Make sure that the wall control is turned "ON".
2. If fan sounds noisy:	<ol style="list-style-type: none">1. Make sure all screws in motor housing are snug. (not too tight)2. Make sure the screws which attach the fan blade bracket to the motor are tight.3. Make sure wire connectors in switch housing are not rattling against each other or against the interior wall of the switch housing. CAUTION: Make sure main power is turned off before accessing switch housing.4. Some fan motors are sensitive to signals from Solid State variable speed controls. DO NOT USE a Solid State variable speed control.5. Allow "break-in" period of 24 hours. Most noises associated with a new fan will disappear after this period.
3. If fan wobbles:	<p>All blades are weighed and grouped by weight. Natural woods vary in density which could cause the fan to wobble even though all blades are weight-matched. The following procedures should eliminate most of the wobble. Check for wobble after each step.</p> <ol style="list-style-type: none">1. Check that all blades are screwed firmly into blade brackets.2. Check that all blade brackets are tightened securely to motor.3. Make sure that canopy and mounting bracket are tightened securely to ceiling junction box and junction box is mounted firmly to ceiling joist.4. Most fan wobble problems are caused when blades are not equally level. To check the blade levels, select a point on the ceiling above the tip of any blade. Measure the distance from the ceiling to the blade tip, to an accuracy of 1/8 inch. Rotate the blades until the next blade is in the measuring position. Repeat measurement for each blade. If all blade levels are not equal, you can adjust blade levels by the following procedure. To adjust a blade tip down, insert a washer (not supplied) between the blade and blade bracket at the screw closest to the motor. To adjust a blade tip up, insert washer (not supplied) between the blade and blade bracket at the two screws farthest from the motor.5. If blade wobble is still noticeable, interchanging two adjacent (side by side) blades can redistribute the weight and possibly result in smoother operation.
4. If light does not work:	<ol style="list-style-type: none">1. Check blue wire from fan to make sure it is connected to hot wire from house.2. Check for loose or disconnected wires in fan switch housing.3. Check for loose or disconnected wires in light kit.4. Check for faulty LED module. CAUTION: Make sure main power is turned off before accessing switch housing.
5. If fan and light kit do not work:	<ol style="list-style-type: none">1. Replacing the battery.2. Re-pair the transmitter and receiver by holding the " FAN OFF" button on the transmitter according to the manual.

ORIGINAL VAXCEL CEILING FAN LIMITED LIFETIME WARRANTY*

The limited lifetime warranty covers this fan, for residential use by the original purchaser, against defects in material or workmanship as follows:

If your fan motor fails at any time during the lifetime of the original purchaser due to defects in material or workmanship, we will provide a replacement part free of charge.

If your fan motor fails at any time within one year after the original date of sale to the original purchaser due to defects in material or workmanship, we will provide labor to repair the defect, with the exception of take down/reinstallation, free of charge. The original purchaser will be responsible for all labor costs after this one year period.

If no replacement parts are provided for any part of your fan motor that fails at any time during your lifetime due to defects in material or workmanship, we will refund the original purchase price of your fan.

If your fan includes any integrated LED modules, the LED functionality is covered by a 5-year warranty.

If your fan blades, or any accessory, except glass globes and light bulbs, fails at any time within one year after the original date of purchase due to a defect in material and workmanship, we will repair or replace the defective blades, switch, or accessory free of charge, with the exception of take down/reinstallation services.

If the original purchaser ceases to own the fan, this warranty and any implied warranty, including but not limited to any implied warranty of merchantability or fitness for a particular purpose, become void. This warranty and any implied warranty, including but not limited to any implied warranty of merchantability or fitness for a particular purpose, does not cover glass globes, light bulbs, or finish on any metal portions of the fan.

This warranty is in lieu of express warranties. The duration of any implied warranty of merchantability or fitness for a particular purpose, with respect to any fan motor, blades, switch, or accessories, is expressly limited to the period of the express warranty set forth above for such motor, LED modules, blades, switch, or accessories.

This warranty excludes defects, malfunctions, or failures of any fan that are caused by repairs by persons not authorized by us, use of parts or accessories not authorized by us, mishandling, improper installation, modifications or damage to the fan while in your possession, or unreasonable use, including failure to provide necessary maintenance. This warranty does not include the failure of products from extreme acts of nature; environmental conditions not suited for the products intended use; operation in temperatures outside of the range specified in the instruction manual; usage with improper power supply, power surges or dips. For coastal locations, some corrosion is considered normal for the environment.

In no event shall VAXCEL be liable for consequential or incidental damages.

Some states do not allow the exclusion or limitation of consequential or incidental damages, in which case the above limitation or exclusion may not apply. This warranty gives you specific legal rights and you may also have other rights which vary from state to state.

Vaxcel reserves the right to repair, replace or issue a credit for any properly installed product, provided it is returned per RMA instruction. This warranty is limited to the cost of the product only and does not extend to transportation, installation or replacement costs.

How can warranty service be obtained for your ceiling fan?

info@vaxcel.com

1-800-482-9235