

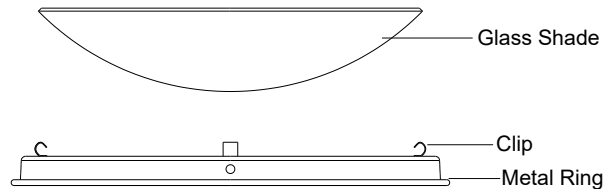
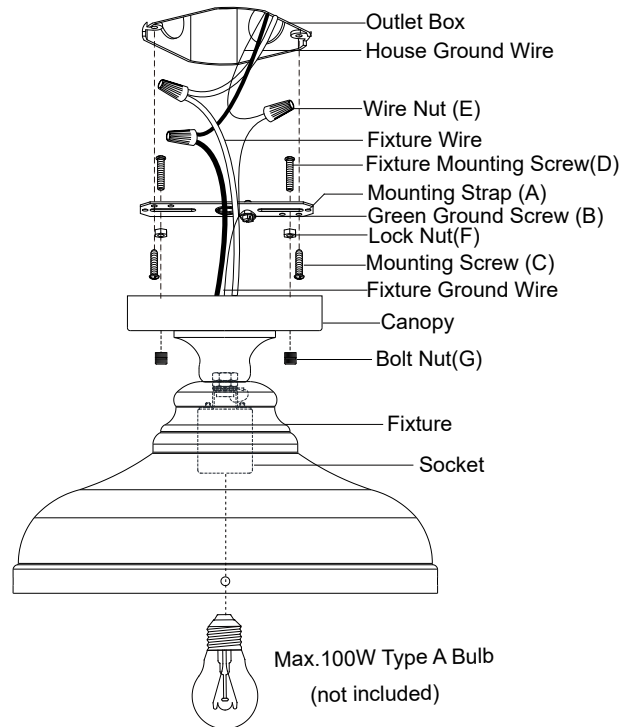
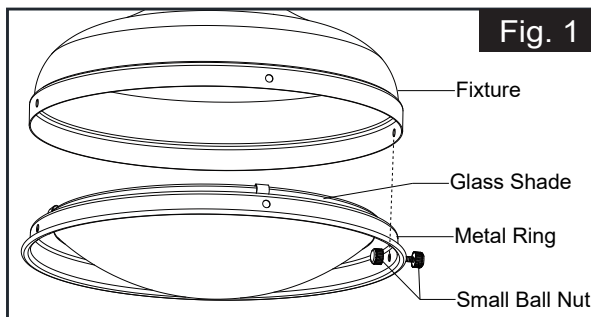
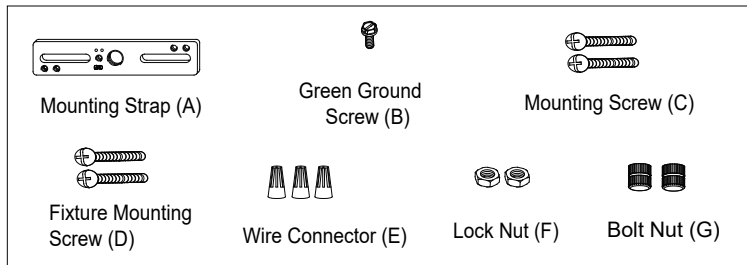
# ASSEMBLY AND INSTALLATION INSTRUCTIONS

C0113

**WARNING:** TO AVOID RISK OF ELECTRICAL SHOCK, BE SURE TO SHUT OFF POWER BEFORE INSTALLING OR SERVICING THIS FIXTURE.

**NOTES:** 1. Before installing, consult local electrical codes for wiring and grounding requirements.  
2. Read and save this instruction.

## Hardware Package (included):



## Installation Steps

Turn off the power at fuse or circuit box.

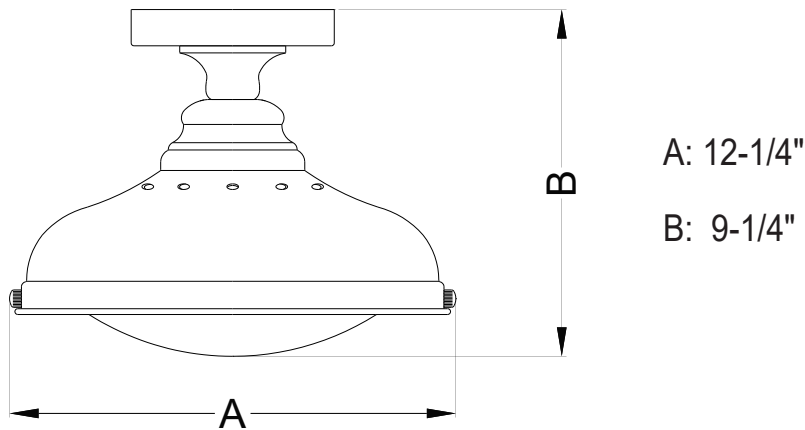
1. Thread the fixture mounting screws through mounting strap, and then secure them with two lock nuts. Adjust the length of fixture mounting screws if necessary.
2. Attach mounting strap to the outlet box using two mounting screws.
3. Install a bulb (not included). Check relamping label at socket area or packaging for maximum allowed wattage.
4. Take the glass shade and gently slide it into the metal ring in place, and then secure it by pressing three clips on top side of the metal ring.
5. Attach the metal ring to fixture, and then secure it with three sets of small bolt nut. (See Fig. 1)
6. Pull out the source wires from the outlet box. Make wire connections using wire connectors as follows:
  - Connect the hot wire (black insulation) from the fixture to the black wire from the power source.
  - Connect the neutral wire (white insulation) from the fixture to the white wire from the power source.
  - Attach the fixture grounding wire (bare wire) to mounting strap with the green ground screw, and then connect it to the house grounding wire with the wire connector.
 Carefully put the wires back into the outlet box.
7. Attach the canopy to the mounting strap by inserting the fixture mounting screws, and then secure it with two bolt nuts.

Turn on the power at fuse or circuit box.

The following parts are available for reorder if damaged or missing.

**Spare Parts List:**

Mounting Strap (A)	Green Ground Screw (B)	Mounting Screw (C)	→ Mounting Hardware 5464MM (1 SET)
Fixture Mounting Screw (D)	Wire Connector (E)	Lock Nut (F)	
		Bolt Nut (G)	Glass Shade 9770SB(1PC)



**1 Year Warranty**

Vaxcel warrants all of our products against defects in workmanship and finishes for one year following the date of shipment.

*Exclusions: This warranty does not include the failure of products from extreme acts of nature; environmental conditions not suited for the products intended use; operation in temperatures outside of the range specified in the instruction manual; usage with improper power supply, power surges or dips. For coastal locations, some corrosion is considered normal for the environment.*

*Vaxcel reserves the right to repair, replace or issue a credit for any properly installed product, provided it is returned per RMA instruction. This warranty is limited to the cost of the product only and does not extend to transportation, installation or replacement costs.*

How can warranty service be obtained?  
[info@vaxcel.com](mailto:info@vaxcel.com)  
 1-800-482-9235