

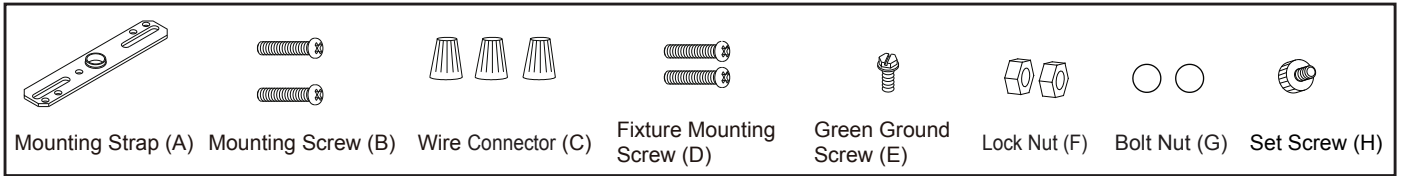
ASSEMBLY AND INSTALLATION INSTRUCTIONS

C0176 / C0177 / C0178 / C0197

WARNING: TO AVOID RISK OF ELECTRICAL SHOCK, BE SURE TO SHUT OFF POWER BEFORE INSTALLING OR SERVICING THIS FIXTURE.

NOTE: 1. Before installing, consult local electrical codes for wiring and grounding requirements.
2. READ AND SAVE THIS INSTRUCTION.

Hardware Package (included):

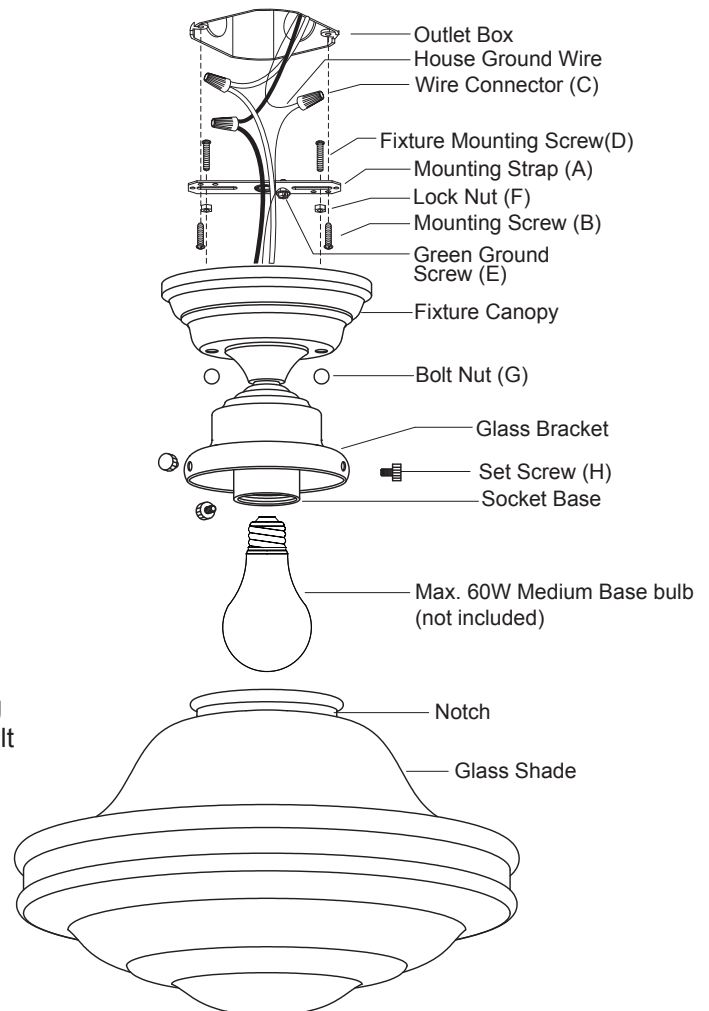


Installation Steps

Turn off the power at fuse or circuit box

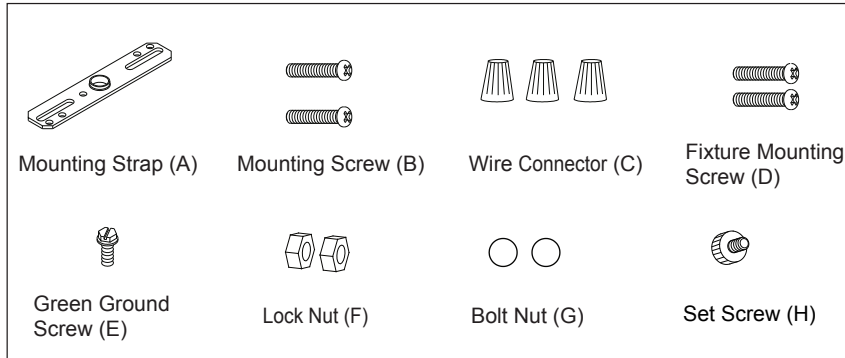
1. Thread two fixture mounting screws (D) through the mounting strap (A), and then secure with two lock nuts (F). Adjust the length of the fixture mounting screws (D) if necessary.
2. Attach the mounting strap (A) to the outlet box by using two mounting screws (B).
3. Pull out the source wires from the outlet box. Make wire connections using wire connectors (C) as follows:
 - Connect the hot wire (black insulation) from the fixture to the black wire from the power source.
 - Connect the neutral wire (white insulation) from the fixture to the white wire from the power source.
 - Attach the fixture ground wire (bare wire) to the mounting strap (A) with the green ground screw (E). Then connect it to the house ground wire with the wire connector (C).Carefully put the wires back into the outlet box.
4. Attach the fixture canopy to the mounting strap (A) by inserting the fixture mounting screws (D), and then secure it with two bolt nuts (G).
5. Install 1 x 60W Max medium base bulb (not included) to the socket. See relamping label at socket area or packaging for maximum wattage allowed.
6. Attach the glass shade to the glass bracket by threading set screws onto the glass notches. (Do not over tighten.)

Turn on the power at fuse or circuit box

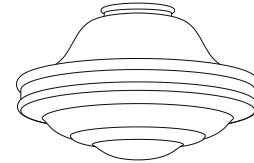


The following parts are available for re-order if damaged or missing.

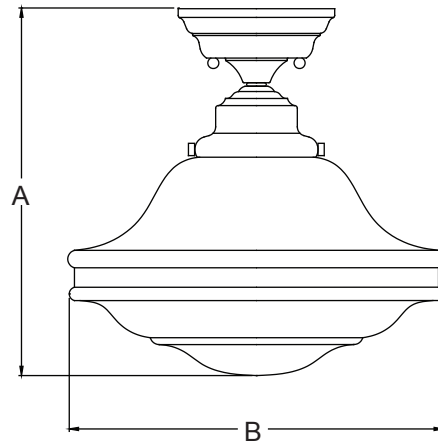
Spare Parts List:



Assembly Kit
5773MM (1 SET) for C0177 / C0178
6008MM (1 SET) for C0176 / C0197



Glass Shade
9919MG for C0176 / C0178
9920MG for C0177 / C0197



1 Year Warranty

Vaxcel warrants all of our products against defects in workmanship and finishes for one year following the date of shipment.

Exclusions: This warranty does not include the failure of products from extreme acts of nature; environmental conditions not suited for the products intended use; operation in temperatures outside of the range specified in the instruction manual; usage with improper power supply, power surges or dips. For coastal locations, some corrosion is considered normal for the environment.

Vaxcel reserves the right to repair, replace or issue a credit for any properly installed product, provided it is returned per RMA instruction. This warranty is limited to the cost of the product only and does not extend to transportation, installation or replacement costs.

How can warranty service be obtained?

info@vaxcel.com
1-800-482-9235