

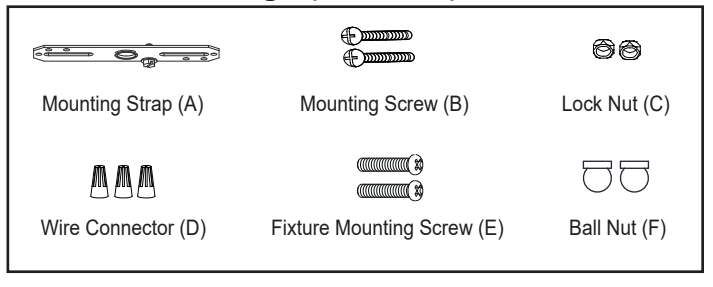
# ASSEMBLY AND INSTALLATION INSTRUCTIONS

C0228

**WARNING:** TO AVOID RISK OF ELECTRICAL SHOCK, BE SURE TO SHUT OFF POWER WHILE INSTALLING OR SERVICING THIS FIXTURE.

**NOTES:** 1. Before installing, consult local electrical codes for wiring and grounding requirements.  
2. READ AND SAVE THIS INSTRUCTION.

## Hardware Package (included):



## Installation Steps

Turn off the power at fuse or circuit box.

1. Thread two fixture mounting screws (E) through the mounting strap (A), then secure with two lock nuts (C). Adjust the length of the fixture mounting screws (E) if necessary.
2. Attach the mounting strap (A) to the outlet box by using two mounting screws (B).
3. Determine length desired and thread wires from the fixture through rods and canopy then thread rods to canopy and threaded pipe on the fixture.

4. Pull out the source wires from the outlet box.

Make wire connections using wire connectors (D) as follows:

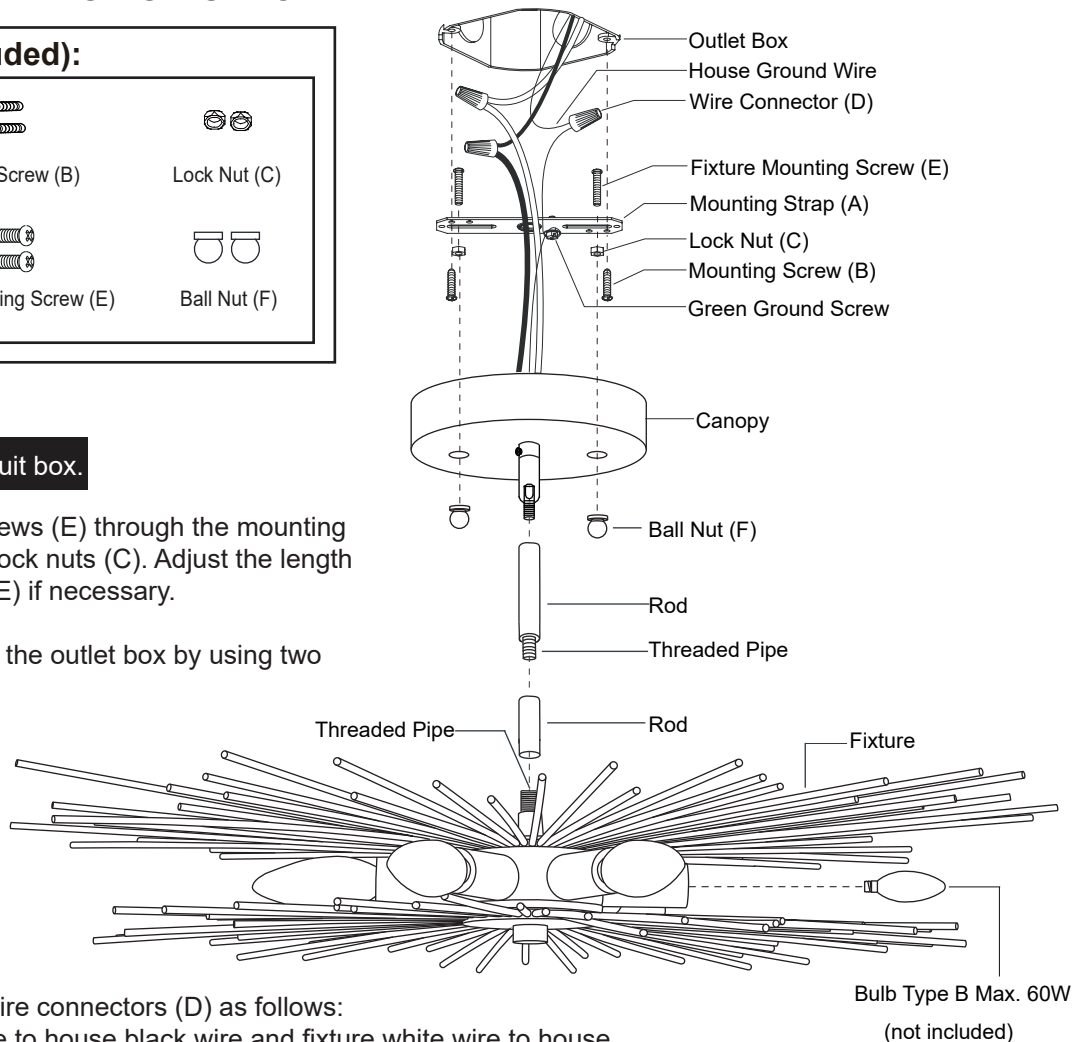
---Connect the fixture black wire to house black wire and fixture white wire to house white wire using wire connectors (D) provided.

---Connect the copper wire on the light fixture to the mounting strap (A) by securing it with the green ground screw, then connect it to the house ground wire with wire connector (D).

Tuck all the wires into outlet box.


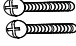






5. Attach the canopy to the mounting strap (A) by inserting the fixture mounting screws (E), then secure it with two ball nuts (F).
6. Install six bulbs (not included).  
See relamping label at socket area or packaging for maximum allowed wattage.

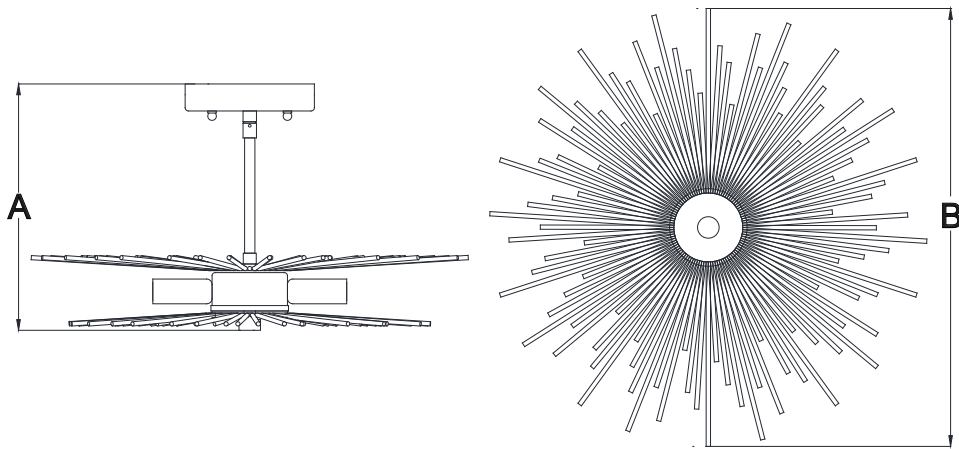
Turn on the power at fuse or circuit box.



The following parts are available for re-order if damaged or missing.

**Spare Parts List:**

 Mounting Strap (A)	 Mounting Screw (B)	 Lock Nut (C)	→ Mounting Hardware 6112MM (1 SET)	 3" Rod 3202RD	 6" Rod 3203RD
 Wire Connector (D)	 Fixture Mounting Screw (E)	 Ball Nut (F)			



A: 9-1/2"~15-1/2"

B: 24"

**1 Year Warranty**

Vaxcel warrants all of our products against defects in workmanship and finishes for one year following the date of shipment.

*Exclusions: This warranty does not include the failure of products from extreme acts of nature; environmental conditions not suited for the products intended use; operation in temperatures outside of the range specified in the instruction manual; usage with improper power supply, power surges or dips. For coastal locations, some corrosion is considered normal for the environment.*

*Vaxcel reserves the right to repair, replace or issue a credit for any properly installed product, provided it is returned per RMA instruction. This warranty is limited to the cost of the product only and does not extend to transportation, installation or replacement costs.*

How can warranty service be obtained?

info@vaxcel.com

1-800-482-9235