



ORIGINAL VAXCEL CEILING FAN LIMITED LIFETIME WARRANTY*

**for full limited lifetime warranty details please see final page of these instructions.*

Model No.: F0023 / F0024 / F0059

Safety Instructions

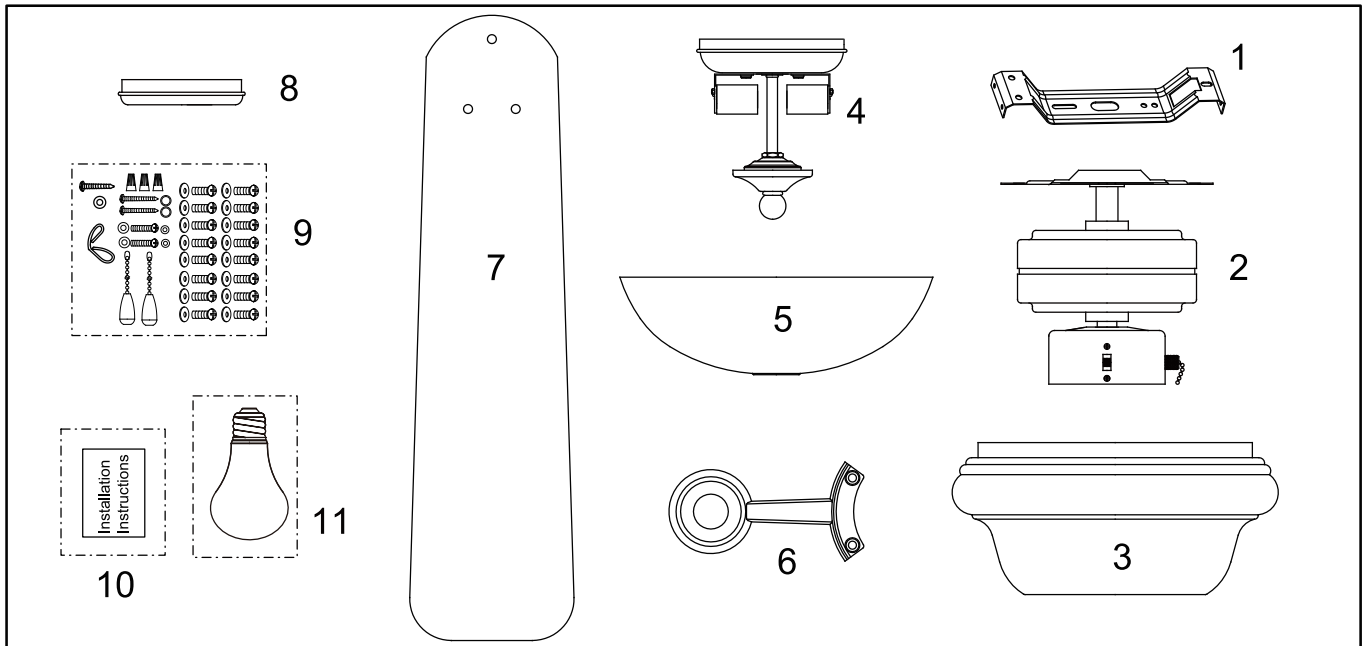
READ ALL SAFETY INFORMATION AND INSTALLATION INSTRUCTIONS BEFORE YOU BEGIN TO INSTALL THE FAN AND SAVE INSTRUCTIONS.

- All set screws of the fan must be checked and retightened where necessary before installation.
- To reduce the risk of personal injury, do not bend the blade brackets when installing the brackets, balancing the blades or cleaning the fan. Do not insert foreign objects between rotating fan blades.
- Before changing the fan direction, turn off the fan and wait for the fan blades to stop completely.
- The safeguards provided by these safety instructions and by the separate installation instructions are not meant to cover all possible conditions and situations that may occur. It must be understood that common sense, caution and care are factors which can not be built into this product.
- These factors must be supplied by the person(s) installing, caring for and operating the fan.

WARNING

- TO AVOID RISK OF ELECTRIC SHOCK, BE SURE TO SHUT OFF POWER AT THE MAIN FUSE OR CIRCUIT BREAKER BOX BEFORE INSTALLING OR SERVICING THIS FIXTURE. TURNING OFF THE ELECTRICAL POWER BY USING THE LIGHT SWITCH IS NOT SUFFICIENT TO PREVENT ELECTRICAL SHOCK.
- TO REDUCE THE RISK OF INJURY, INSTALL THE FAN SO THAT THE BLADES ARE AT LEAST 10 FEET (3.05 METERS) ABOVE THE FLOOR AND AT LEAST 18 INCHES (0.5 METERS) FROM THE TIP OF THE BLADES TO THE WALL.
- TO REDUCE THE RISK OF FIRE, ELECTRIC SHOCK, OR PERSONAL INJURY, MOUNT TO OUTLET BOX MARKED "ACCEPTABLE FOR FAN SUPPORT" AND USE MOUNTING SCREWS PROVIDED WITH THE OUTLET BOX.
- THE INSTALLATION HAS TO BE IN ACCORDANCE WITH THE NATIONAL ELECTRICAL CODE, ANSI/NFPA 70-1999 AND LOCAL CODES. IF YOU ARE UNFAMILIAR WITH THE METHODS OF INSTALLING ELECTRICAL WIRING, SEEK THE SERVICES OF A QUALIFIED LICENSED ELECTRICIAN.

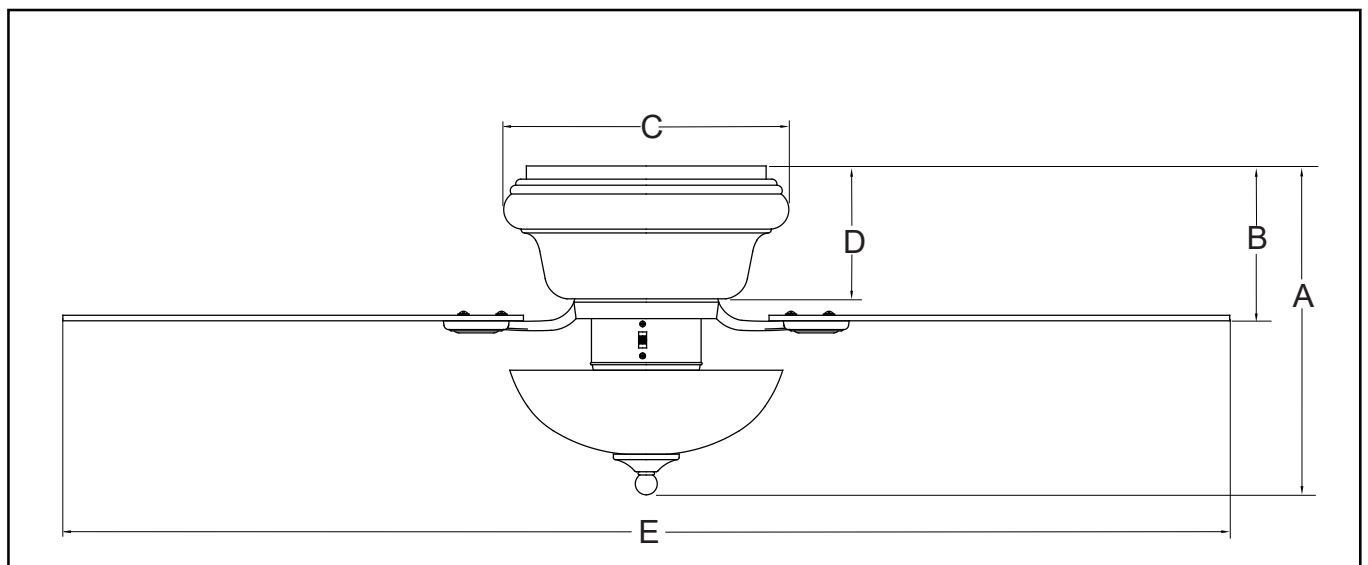
Package Contents:



Unpack your fan and check the contents. You should have the following items.

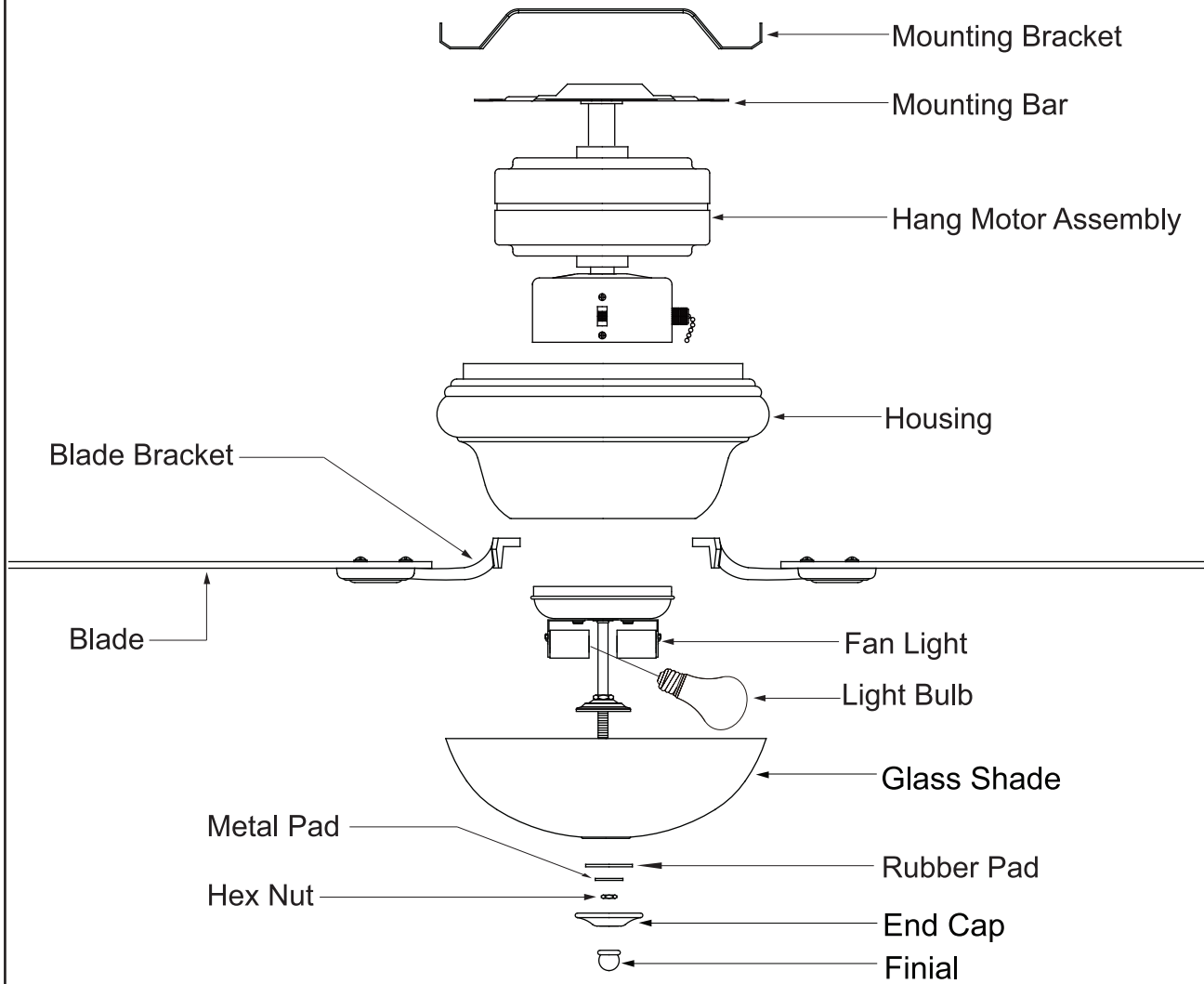
- 1.) Mounting Bracket
- 2.) Hang Motor Assembly
- 3.) Housing
- 4.) Fan Light Kit
- 5.) Glass Shade
- 6.) Blade Bracket (5 PCS)
- 7.) Fan Blade (5 PCS)
- 8.) Switch Box Cover
- 9.) Assembly Kit
- 10.) Installation Instructions
- 11.) E26 Medium Base A19 LED Light Bulb (2x9W Included)

Dimension Reference:



A. 12-1/2" B. 5" C. 10-1/4" D. 4-3/4" E. 42"

Exploded View Detail



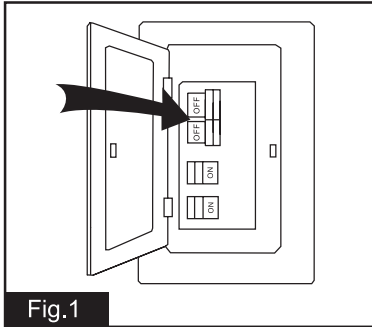
INSTALLATION INSTRUCTIONS

IMPORTANT:

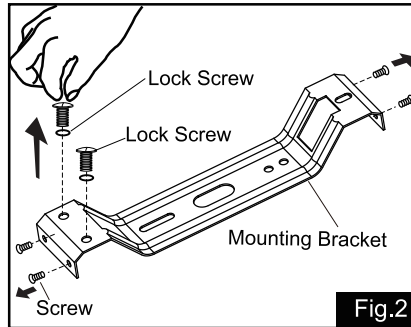
- BEFORE YOU BEGIN INSTALLATION, CAREFULLY READ ALL INFORMATION PROVIDED IN THE SAFETY INSTRUCTIONS AND INSTALLATION INSTRUCTIONS. IF IN DOUBT, CONSULT A QUALIFIED ELECTRICIAN.
- SAVE ALL INSTRUCTIONS.

NOTE: The fan weight is 12.2 lbs (5.5 kgs). Be sure the outlet box you are using is securely attached to the building structure and can support the full weight of the fan. Failure to do so can result in serious injury.

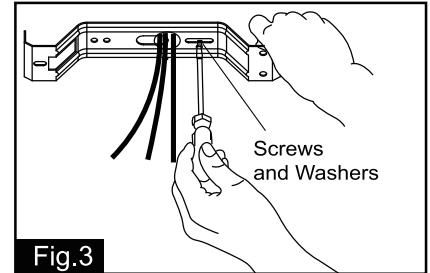
Installation Steps :



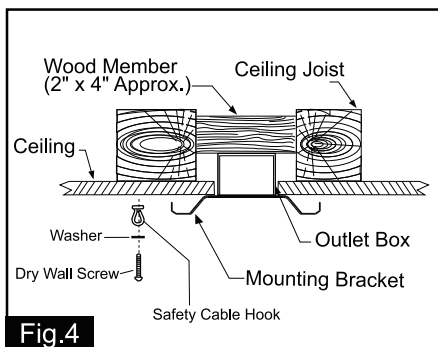
Turn OFF the electric circuit at the main fuse or circuit breaker box.



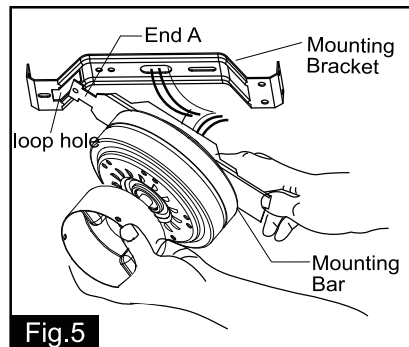
Unscrew the lock screws, lock washers and screws from mounting bracket.



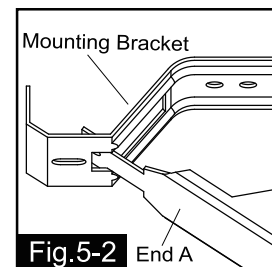
Tighten the mounting bracket to the outlet box with 2 mounting screws and washers. (To reduce the risk of fire, electric shock, or personal injury, mount to the outlet box marked "Acceptable for fan support" and use mounting screws provided with the outlet box.) Pull the electrical wires from the outlet box through the center hole of the mounting bracket for motor wiring installation.



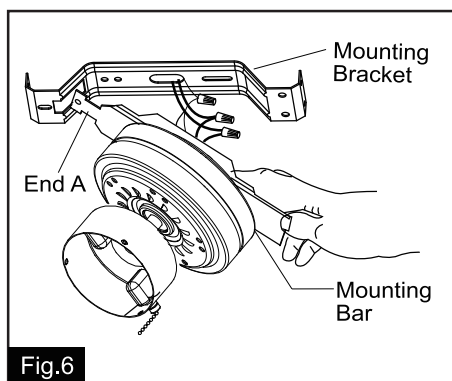
Attach the safety cable hook to the ceiling with the dry wall screw and washer, and make sure the safety cable hook is covered by the fan canopy.



Attach hang motor assembly onto mounting bracket. Insert the End A of mounting bar through the loop hole of the mounting bracket for hands-free wiring.



After install

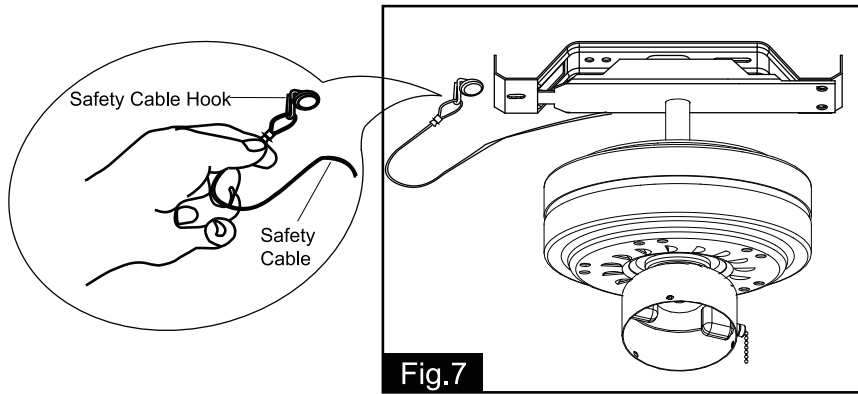


Connect wires:

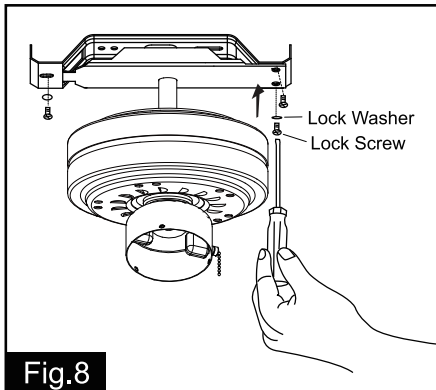
- 1). The white (neutral) wire from motor to the white (neutral) wire from the outlet box with a Wire connector.
- 2). The black (hot) wire from motor and blue wire to the black (hot) wire from the outlet box with a Wire connector.
- 3). The green (ground) wire from the motor to the ground wire from the outlet box with a Wire connector.

*** After making the wire connections, the wires should be spread apart with the white (neutral) conductor and the green (ground) conductor on one side and the black (hot) conductor on the other side of the outlet box.

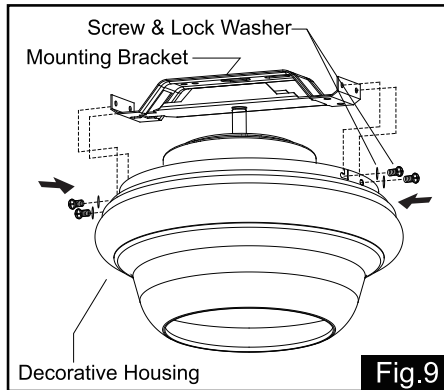
*** The wire connection points should be turned upward and pushed carefully up into the outlet box.



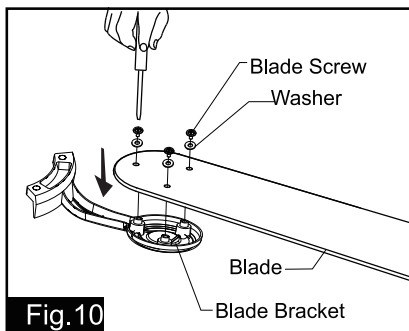
Hang the safety cable into the safety cable hook.



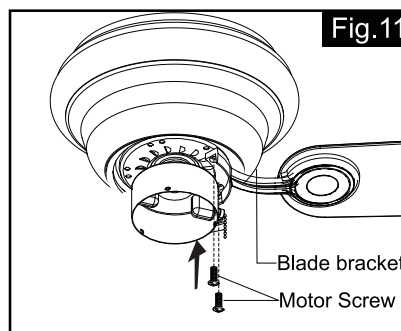
Attach the mounting bar to the mounting bracket with the lock washers and lock screws using a screwdriver. (Tighten the three locked screws securely)



The decorative housing has two mating slots and two mating holes. Position both slots on the decorative housing directly under and in line with two screws and washers in the mounting bracket. Lift the decorative housing, allowing the two screws and washers to slide into the mating slots. Rotate the decorative housing counterclockwise until both screws from the mounting bracket drop into the slot recesses. Tighten screws securely. Install the other two screws and washers into the mating holes of the mounting bracket and tighten to secure the decorative housing to the mounting bracket.

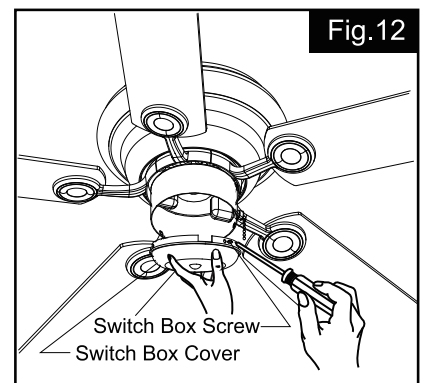


Mount each blade bracket to fan blade using three blade screws and washers.



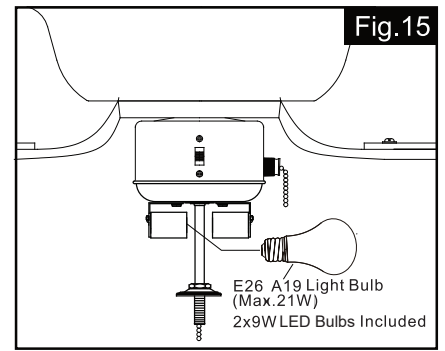
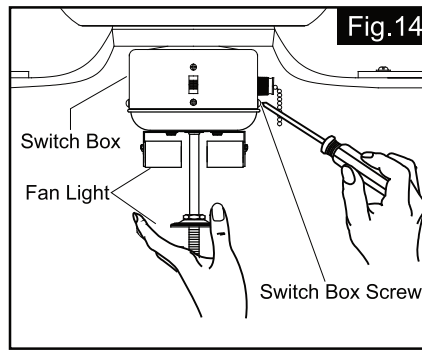
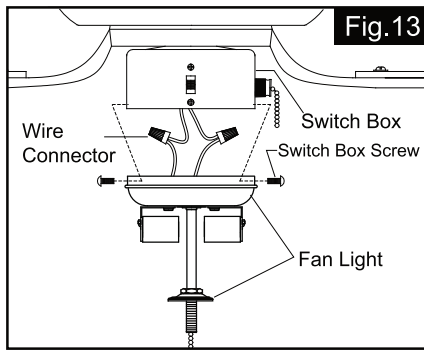
Remove screws and washers from motor first and then secure the blade brackets to the motor with motor screws and washers.

Install without fan light



Make sure the wires of the fan light in the switch box are capped with wire connectors. Secure the switch box cover with the switch box screws. **To install the fan light, skip this step and proceed to Fig.12.**

Install fan light



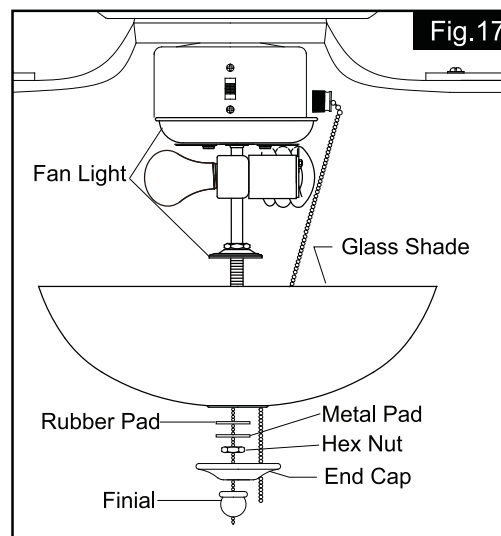
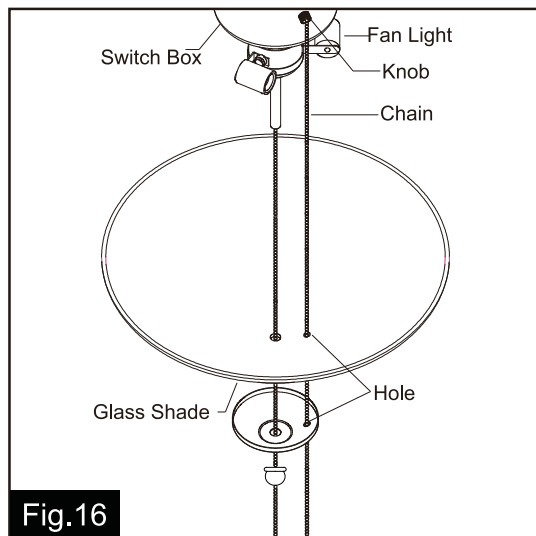
Connect wires:

- The blue wire from the switch box to the black wire from fan light.
- The white wire from the switch box to the white wire from fan light.

Carefully put the wires into the switch box.

Install the fan light onto the switch box with the switch box screws found attached to the fan light.

Install bulbs (included). See relamping label at socket area or packaging for maximum allowed wattage.

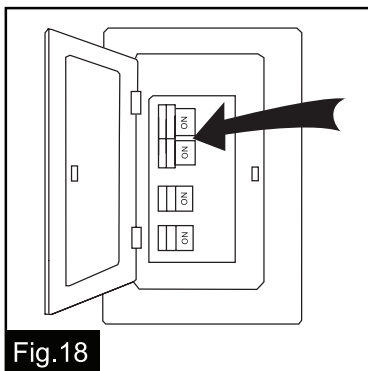


*** Remove the finial, end cap, hex nut, metal pad and rubber pad from glass shade first.

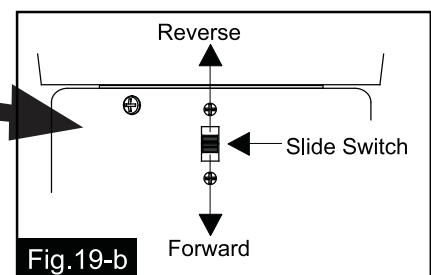
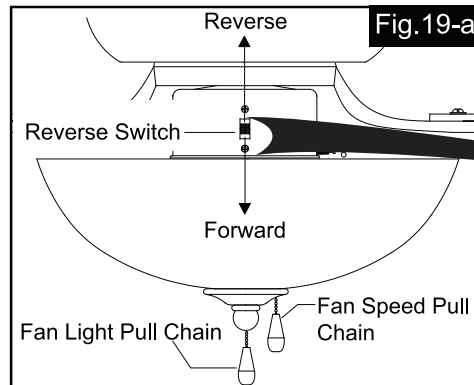
*** Adjust the glass shade and cap direction, make sure that the hole of glass shade and the knob of the switch box are in the same straight line.

*** Adjust the fan light direction, make sure that the chain does not touch the sockets or light bulb.

Install the glass shade, rubber washer and metal washer upward through the nipple and secure with hex nut. Then attach the end cap to the glass shade and secure it with finial. Take care to align the holes on the glass shade and the end cap, so the pull chains pass through and move freely.



Turn ON the electric circuit at the main fuse or circuit breaker box.



The slide switch sets direction of fan rotation. Select the desired direction of fan rotation. Push the slide switch down for "Forward" and up for "Reverse".

CAUTION: If you install a Wall Control for this fan, make sure to use the pull chains to select the "high" position for the fan speed and the "on" position for the fan light.

Troubleshooting Guide

If you have difficulty operating your new ceiling fan, it may be the result of incorrect assembly, installation or wiring. In some cases, these installation errors may be mistaken for defects. If you experience any faults, please check this Troubleshooting Guide. If a problem cannot be remedied or you are experiencing difficulty in installation, please call our Customer Service Department.

PROBLEM	SUGGESTED REMEDY
1. If fan does not start:	<ol style="list-style-type: none">1. Check main and branch circuit fuses or circuit breakers.2. Make sure forward/reverse switch is firmly in bottom or top position. Fan will not operate when switch is in the middle.3. Make sure that the wall control is turned "ON".4. Check line wire connections to fan and switch wire connections in switch housing. CAUTION: Make sure main power is turned off.
2. If fan sounds noisy:	<ol style="list-style-type: none">1. Make sure all screws in motor housing are snug. (not over tightened)2. Make sure the screws which attach the fan blade bracket to the motor are tight.3. Make sure wire connectors in switch housing are not rattling against each other or against the interior wall of the switch housing. CAUTION: Make sure main power is turned off before entering switch housing.4. If using an optional ceiling fan light kit, make sure the screws securing the glassware are finger tight. Make sure light bulb is tight in socket and not touching glass shade(s). If vibration persists from glass, remove glass and install a 1/4 in. Wide rubber band on glass neck to act as an insulator. Replace glass and tighten screws against rubber band.5. Some fan motors are sensitive to signals from Solid State variable speed controls. DO NOT USE a Solid State variable speed control.6. Allow "break-in" period of 24 hours. Most noises associated with a new fan will disappear after this period.
3. If fan wobbles:	<p>All blades are weighed and grouped by weight. Natural woods vary in density which could cause the fan to wobble even though all blades are weight-matched. The following procedures should eliminate most of the wobble. Check for wobble after each step.</p> <ol style="list-style-type: none">1. Check that all blades are screwed firmly into blade holders.2. Check that all blade holders are tightened securely to motor.3. Make sure that canopy and mounting plate are tightened securely to ceiling junction box and junction box is mounted firmly to ceiling joist.4. Most wobble problems of fan are caused when blades are not in equal level. To check the blade levels, select a point on the ceiling above the tip of any blade. Measure the distance from the ceiling to the blade tip, to an accuracy of 1/8 inch. Rotate the blades until the next blade is in the measuring position. Repeat measurement for each blade. If all blade levels are not equal, you can adjust blade levels by the following procedure. To adjust a blade tip down, insert a washer (not supplied) between the blade and blade bracket at the screw closest to the motor. To adjust a blade tip up, insert washer (not supplied) between the blade and blade bracket at the two screws farthest from the motor.5. Interchanging two adjacent blades could redistribute the weight and possibly result in smoother operation.
4. If light does not work:	<ol style="list-style-type: none">1. Check blue wire from fan to make sure it is connected to hot wire from supply wire coming out of the ceiling.2. Check for loose or disconnected wires in fan switch housing.3. Check for loose or disconnected wires in light kit.4. Check for faulty light bulbs. CAUTION: Make sure main circuit is turned off before entering switch housing.

ORIGINAL VAXCEL CEILING FAN LIMITED LIFETIME WARRANTY*

The limited lifetime warranty covers this fan, for residential use by the original purchaser, against defects in material or workmanship as follows:

If your fan motor fails at any time during the lifetime of the original purchaser due to defects in material or workmanship, we will provide a replacement part free of charge.

If your fan motor fails at any time within one year after the original date of sale to the original purchaser due to defects in material or workmanship, we will provide labor to repair the defect, with the exception of take down/reinstallation, free of charge. The original purchaser will be responsible for all labor costs after this one year period.

If no replacement parts are provided for any part of your fan motor that fails at any time during your lifetime due to defects in material or workmanship, we will refund the original purchase price of your fan.

If your fan includes any integrated LED modules, the LED functionality is covered by a 5-year warranty.

If your fan blades, or any accessory, except glass globes and light bulbs, fails at any time within one year after the original date of purchase due to a defect in material and workmanship, we will repair or replace the defective blades, switch, or accessory free of charge, with the exception of take down/reinstallation services.

If the original purchaser ceases to own the fan, this warranty and any implied warranty, including but not limited to any implied warranty of merchantability or fitness for a particular purpose, become void. This warranty and any implied warranty, including but not limited to any implied warranty of merchantability or fitness for a particular purpose, does not cover glass globes, light bulbs, or finish on any metal portions of the fan.

This warranty is in lieu of express warranties. The duration of any implied warranty of merchantability or fitness for a particular purpose, with respect to any fan motor, blades, switch, or accessories, is expressly limited to the period of the express warranty set forth above for such motor, LED modules, blades, switch, or accessories.

This warranty excludes defects, malfunctions, or failures of any fan that are caused by repairs by persons not authorized by us, use of parts or accessories not authorized by us, mishandling, improper installation, modifications or damage to the fan while in your possession, or unreasonable use, including failure to provide necessary maintenance. This warranty does not include the failure of products from extreme acts of nature; environmental conditions not suited for the products intended use; operation in temperatures outside of the range specified in the instruction manual; usage with improper power supply, power surges or dips. For coastal locations, some corrosion is considered normal for the environment.

In no event shall VAXCEL be liable for consequential or incidental damages.

Some states do not allow the exclusion or limitation of consequential or incidental damages, in which case the above limitation or exclusion may not apply. This warranty gives you specific legal rights and you may also have other rights which vary from state to state.

Vaxcel reserves the right to repair, replace or issue a credit for any properly installed product, provided it is returned per RMA instruction. This warranty is limited to the cost of the product only and does not extend to transportation, installation or replacement costs.

How can warranty service be obtained for your ceiling fan?

info@vaxcel.com

1-800-482-9235