

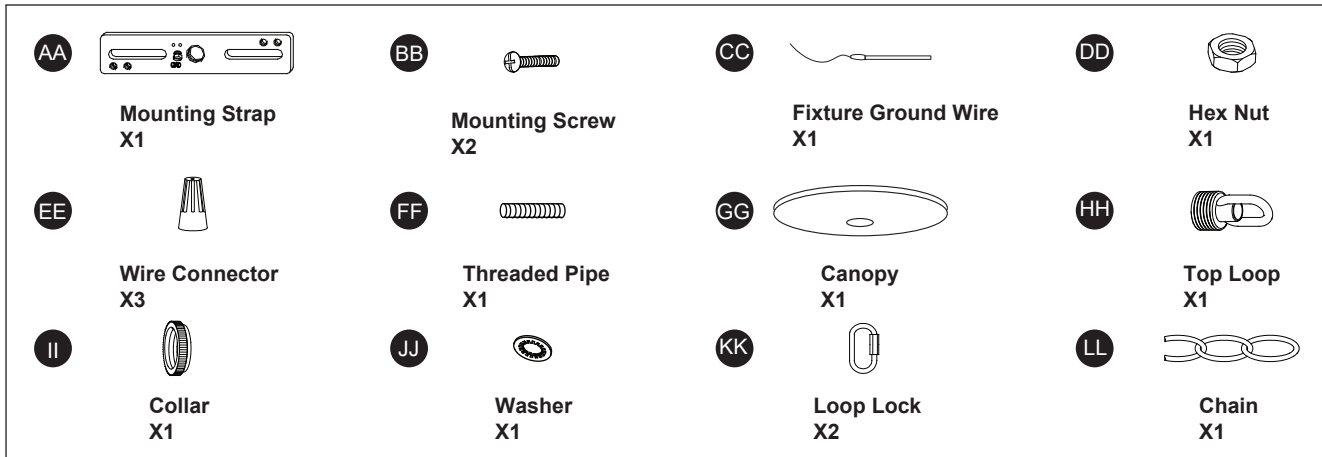
ASSEMBLY AND INSTALLATION INSTRUCTIONS

LK33053WP

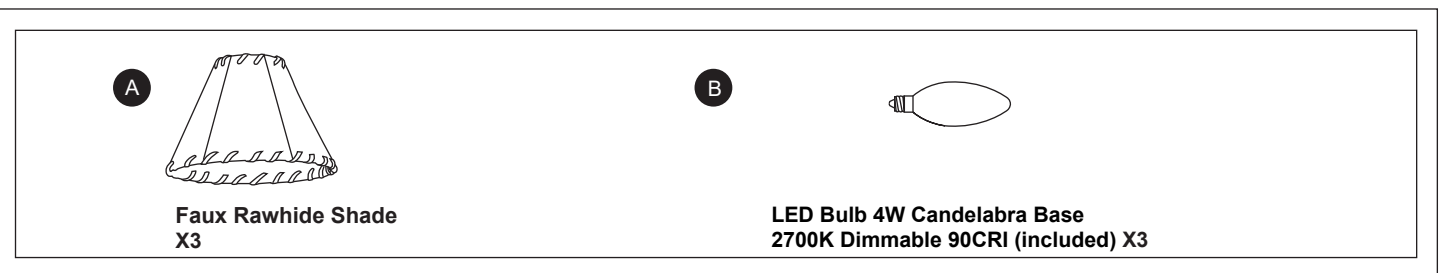
WARNING: TO AVOID RISK OF ELECTRICAL SHOCK, BE SURE TO SHUT OFF POWER BEFORE INSTALLING OR SERVICING THIS FIXTURE.

NOTES: 1. Before installing, consult local electrical codes for wiring and grounding requirements.
2. Read and save these instructions.

Hardware Package (included): For Mini Chandelier



For Fan Light Kit



For Light Kit: Installation Steps

Turn off the power at fuse or circuit box.

1. Unscrew the three screws from the fan and remove the switch box cover and wire connectors.
2. Adjust the cord of fan light kit (B) to 6 in. Cut the excess cord, peel off the insulation from the wire end about 3/8 in. to expose the copper wires.
3. Feed the two wires from the fan light kit (B) through the center hole in the switch box cover, and thread the wires through the washer (NN) and hex nut (MM). Then secure switch box cover onto the fan light kit (B) with a hex nut (MM) and washer (NN).

- Connect wires with wire connectors (EE):
 - Connect the blue wire (hot wire) from the switch box to the smooth wire (marked) from the fan light kit (B).
 - Connect the white wire (neutral wire) from the switch box to the ridged wire (unmarked) from the fan light kit (B).
 - Carefully put wires back into the switch box. Restore the switch box cover back to the switch box with the three screws.

Note: 1. If your fan has a fitter plate, you may also need to connect the 9-pin connector from the fan to the 9-pin connector from the switch housing. If your fan has two single-pin connectors instead of bare wires, it will be necessary to cut the wire very close to the single-pin connectors and strip 1/2" of insulation from the end of the two wires in order to connect the fan wires to the wires from the fan light kit.

2. Do not cut the wires to the 9-pin connectors.

- Attach the clips of the shades (A) onto the candle tubes. Install 3 LED bulbs (C) (included). Attach the wood bead (OO) to the pull chain.

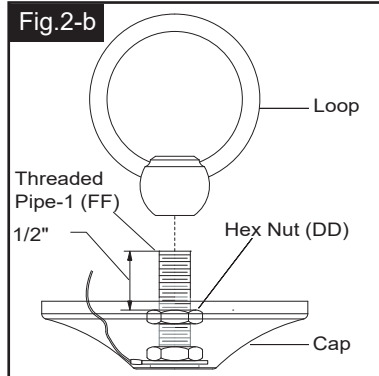
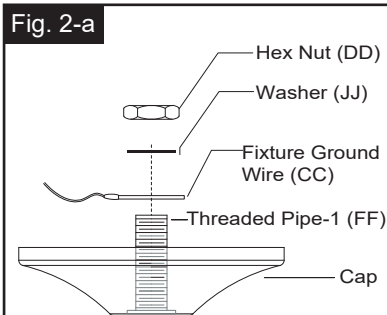
Note: Refer to the label on the lamp socket for Max Wattage information.

Turn on the power at fuse or circuit box.

For Mini Chandelier:

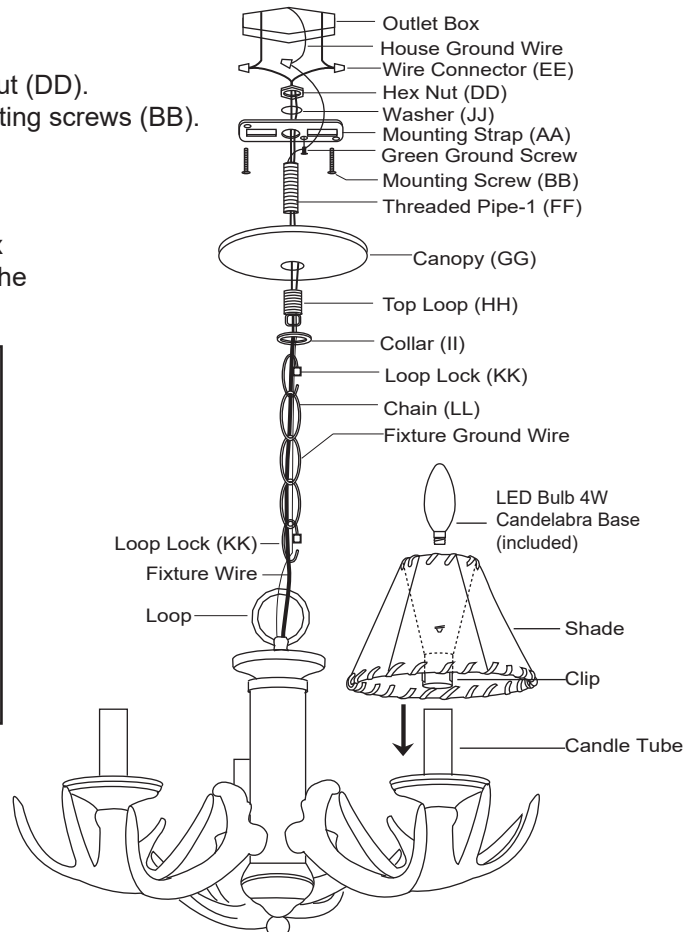
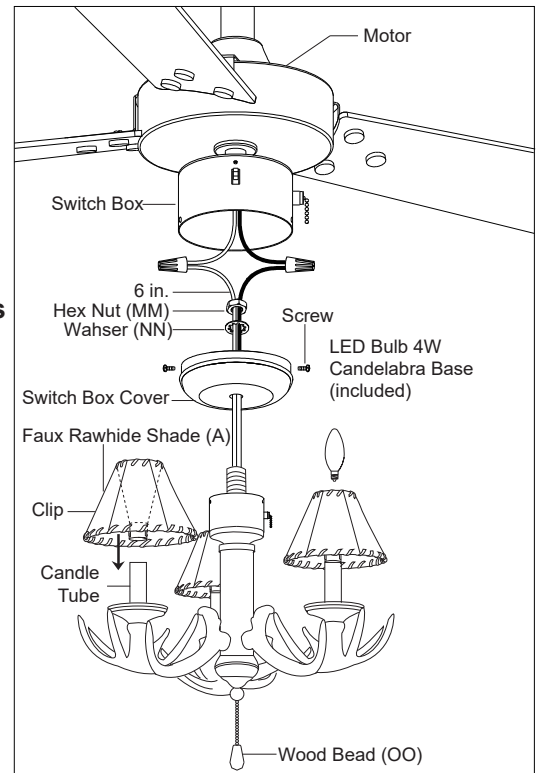
Turn off the power at fuse or circuit box.

- Install the mounting strap (AA). Attach threaded pipe (FF) to the mounting strap (AA), and secure with a washer (JJ) and a hex nut (DD). Attach the mounting strap (AA) to the outlet box using two mounting screws (BB).
- Install the loop on the fixture. Unscrew the hex nut (DD) and washer (JJ) out of light kit threaded pipe (FF). Install the ground wire tab (CC) in light kit threaded pipe (FF), then secure the hex nut (DD) and washer (JJ) back. Thread the fixture wire through the hex nut (DD) and loop, then secure the hex nut (DD) and loop.



- Attach the chain (LL). Adjust the fixture chain (LL) to the desired length by moving the links if needed. You may need to use pliers (not included) to open the chain links. If so, put a cloth over the chain to protect the finish from the pliers. Connect the fixture chain (LL) to the fixture loop on the top of the column and the top loop (HH) using the loop lock (KK). Pull the power cord as well as ground wire up through the chain (LL), collar (II), top loop (HH), canopy (GG).

- Connect the wires with wire connectors (EE). Push all slack fixture wires through the canopy (GG) and into the outlet box. Trim the excess fixture wire, leaving a minimum of 6 in. hanging out of the outlet box. Connect the smooth wire (marked) from the fixture to the black wire from the power source. Connect the ridged wire (unmarked) from the fixture to the white wire from the power source. Loop the house ground wire around the green ground screw on the mounting strap (AA) and tighten it in place. Wrap all wire connections with electrical tape for a more secure connection. Attach the canopy (GG) to the mounting strap (AA) by inserting the top loop (HH) and secure with the collar (II).



5. Attach the clips of the shades (A) onto the candle tubes. Install 3 LED bulbs (C) (included).
Attach the wood bead (OO) to the pull chain.

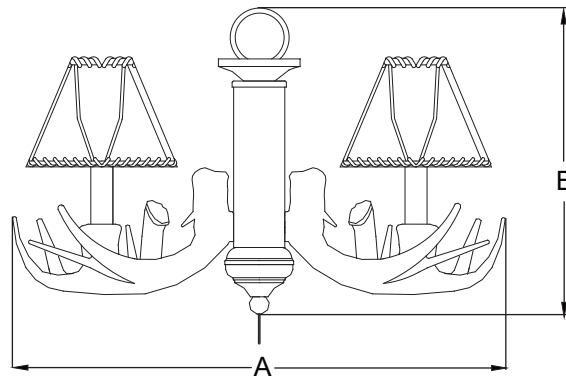
Note: Refer to the label on the lamp socket for Max Wattage information.

Turn on the power at fuse or circuit box.

The following parts are available for re-order if damaged or missing.

Spare Parts List:

AA Mounting Strap X1	BB Mounting Screw X2	CC Fixture Ground Wire X1	DD Hex Nut X1	← Assembly Kit 4035MM (1 SET)
EE Wire Connector X3	FF Threaded Pipe X1	GG Canopy X1	HH Top Loop X1	
II Collar X1	JJ Washer X1	KK Loop Lock X2	LL Chain X1	
MM Hex Nut X1	NN Washer X1	OO Wood Bead X1	← Assembly Kit 4035AA (1 SET)	
C LED Bulb 4W Candelabra Base (included) 2700K Dimmable 90CRI 8096LD	← Assembly Kit X-BB12-4LED (3PCS)		A Faux Rawhide Shade 57091 (3 PCS)	



A : 19-1/2"

B : 10"

1 Year Warranty

Vaxcel warrants all of our products against defects in workmanship and finishes for one year following the date of shipment.

Exclusions: This warranty does not include the failure of products from extreme acts of nature; environmental conditions not suited for the products intended use; operation in temperatures outside of the range specified in the instruction manual; usage with improper power supply, power surges or dips. For coastal locations, some corrosion is considered normal for the environment.

Vaxcel reserves the right to repair, replace or issue a credit for any properly installed product, provided it is returned per RMA instruction. This warranty is limited to the cost of the product only and does not extend to transportation, installation or replacement costs.

How can warranty service be obtained?

info@vaxcel.com
1-800-482-9235