

ASSEMBLY AND INSTALLATION INSTRUCTIONS

LK55416 & LK55516 & LK55616 & LK55716

WARNING: TO AVOID RISK OF ELECTRICAL SHOCK, BE SURE TO SHUT OFF POWER BEFORE INSTALLING OR SERVICING THIS FIXTURE.

NOTES: 1. Before installing, consult local electrical codes for wiring and grounding requirements.
2. Read and save these instructions.

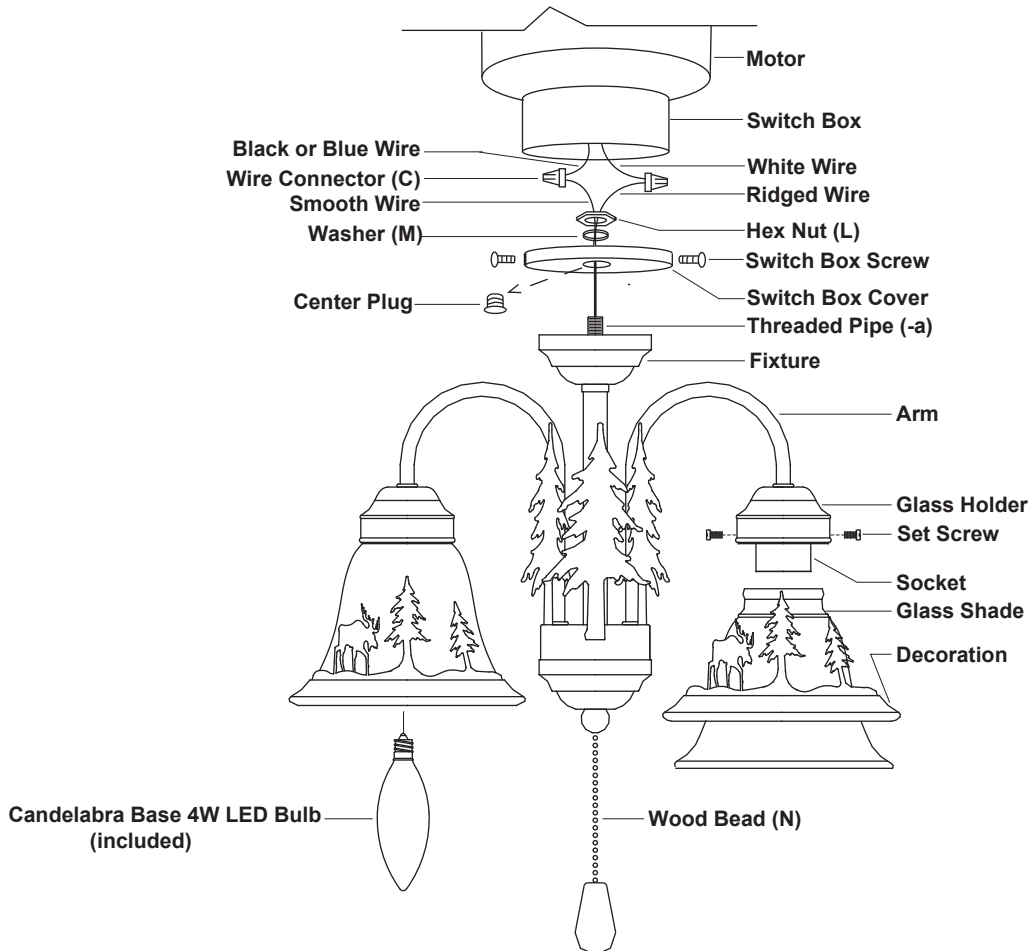
Hardware Package (included): For Chandelier

Mounting Strap Unit (A)	Mounting Screw (B)	Wire Connector (C)	Canopy (D)	Collar (E)
Quick Link (F)	Chain (G)	Loop (H)	Fixture Ground Wire (I)	Hex Nut (J)

Hardware Package (included): For Light Kit

Hex Nut (L)	Washer (M)	Wood Bead (N)

	Glass Shade X3		LED X3
--	-----------------------	--	---------------



Installation Steps

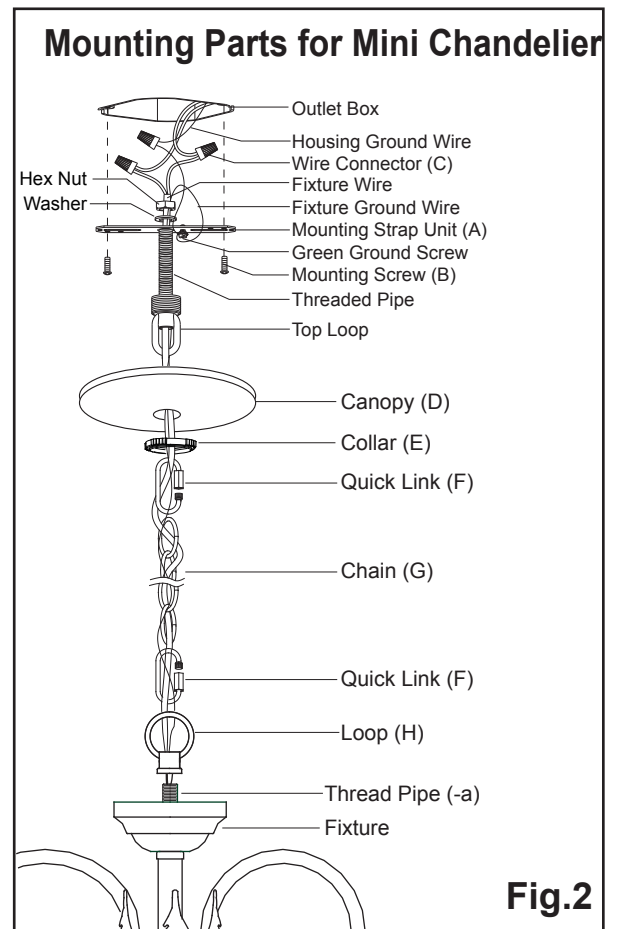
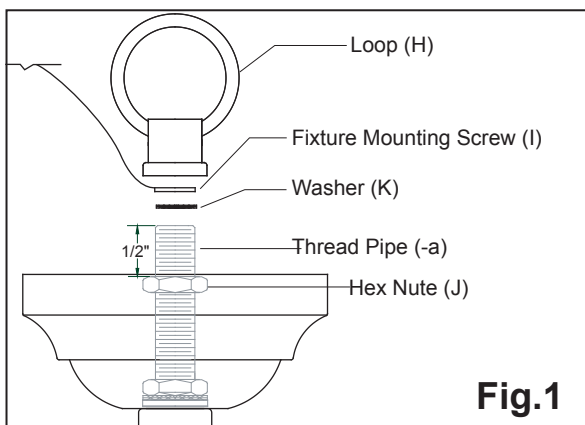
Turn off the power at fuse or circuit box.

For Light Kit:

1. Remove the switch box cover from the switch box of the fan by loosening the three switch box screws.
2. Unscrew the center plug from the switch box cover and discard it.
3. Attach threaded pipe (-a) of the light kit to the switch box cover, then secure it with a washer (M) and hex nut (L).
4. Pull out the wires from the switch box.
Make wire connections using the wire connectors (C):
 - The smooth (marked) wire from the fixture to the black (or blue) wire from the switch box.
 - The ridged (unmarked) wire from the fixture to the white wire from the switch box.Carefully put the wires back into the switch box.
5. Attach the switch box cover back to the switch box using the three switch box screws.
6. Carefully place the decorations onto the glass shades. Then attach the glass shades to the glass holders and secure them with the set screws.
7. Install bulbs (included). See relamping label at socket area or packaging for maximum allowed wattage.
8. Turn on the power at the main fuse or circuit breaker box. (You can control the light with the pull chain.)

For Mini Chandelier: (See Fig. 1 & Fig. 2)

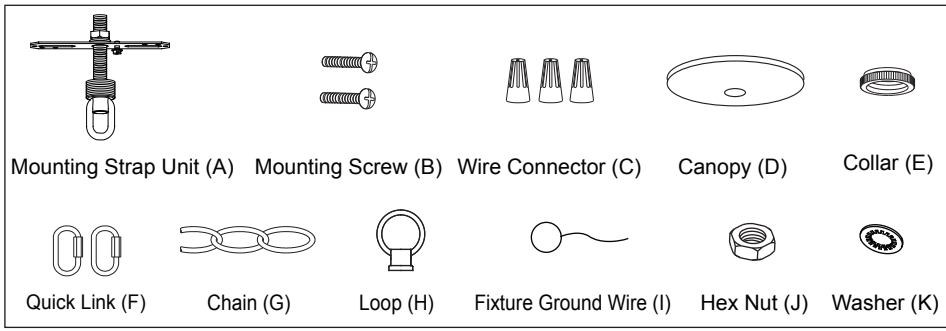
1. Attach the mounting strap unit (A) to the ceiling box by using two mounting screws (B).
Note: The depth of the threaded pipe on the mounting strap unit may need to be adjusted to properly fit the
2. Adjust the hex nut (J) on thread pipe (-a) to make a length of 1/2" from the top of thread pipe (-a) to the top of the hex nut (J). (See Fig.1)
3. Attach the washer (K) and the ground pad to the hex nut (J) on thread pipe (-a), then secure them with the loop (H).
4. - Determine length of chain (G) needed to achieve desired fixture height. (To remove excess chain section, use pliers to bend link open.)
 - Weave the fixture wires and fixture ground wire through the chain (G), collar (E) and the canopy (D).
 - Connect the chain (G) to the loop (H) and the top loop on the mounting strap unit (A) using the two quick links (F).
 - Thread the fixture wires and fixture ground wire through the center of the mounting strap unit (A).
5. Put out the outlet wires and the house ground wire from the outlet box. Make wire connections using the wire connectors (C).
 - The smooth wire (marked) from the fixture to the black wire from power source.
 - The ridged wire(unmarked) from fixture to the white wire from power source.
 - Attach the fixture ground wire (I) to the mounting strap unit (A) with the green ground screw, then connect it to the house ground wire with the wire connector (C).Carefully Put the wires back into the ceiling box.
6. Attach the canopy (D) to the mounting strap unit (A) by inserting the top loop, then secure it with the collar (E).
7. Repeat the steps 6~8 for Light Kit.



The following parts are available for reorder if damaged or missing.

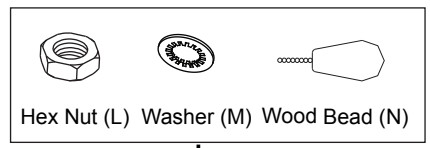
Spare Parts List:

Hardware Package (included): For Chandelier

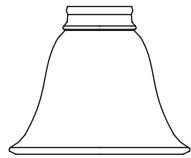


→ Assembly Kit
4172MM (1 SET)

Hardware Package (included): For Light Kit



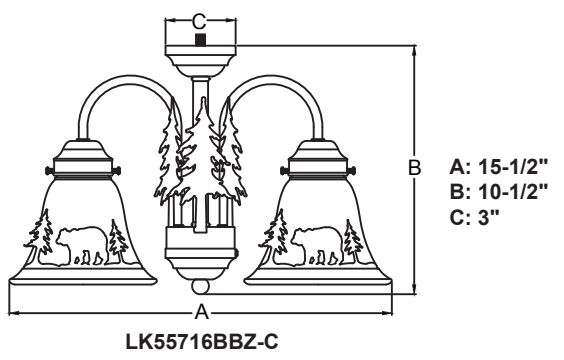
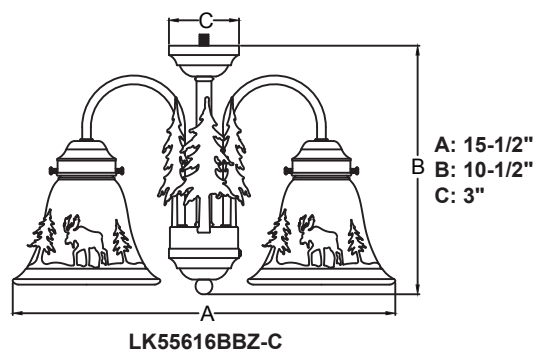
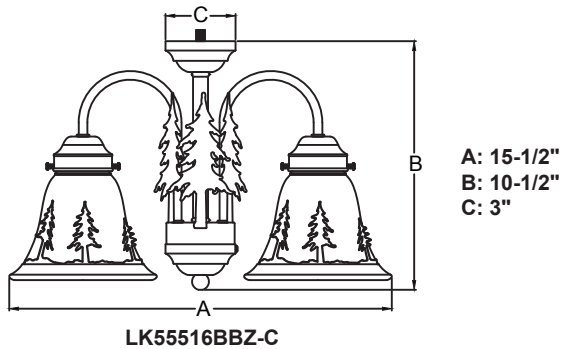
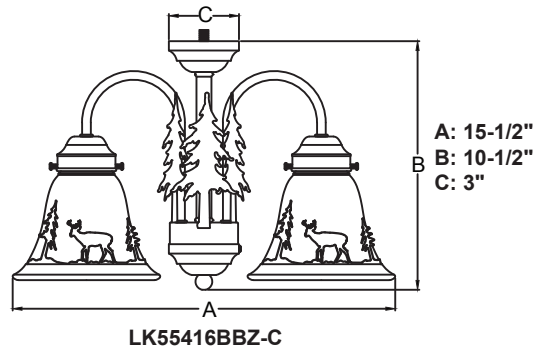
↓ Assembly Kit
4173MM (1 SET)



Glass Shade
938316



LED 8096LD



1 Year Warranty

Vaxcel warrants all of our products against defects in workmanship and finishes for one year following the date of shipment.

Exclusions: This warranty does not include the failure of products from extreme acts of nature; environmental conditions not suited for the products intended use; operation in temperatures outside of the range specified in the instruction manual; usage with improper power supply, power surges or dips. For coastal locations, some corrosion is considered normal for the environment.

Vaxcel reserves the right to repair, replace or issue a credit for any properly installed product, provided it is returned per RMA instruction. This warranty is limited to the cost of the product only and does not extend to transportation, installation or replacement costs.

How can warranty service be obtained?
info@vaxcel.com
1-800-482-9235