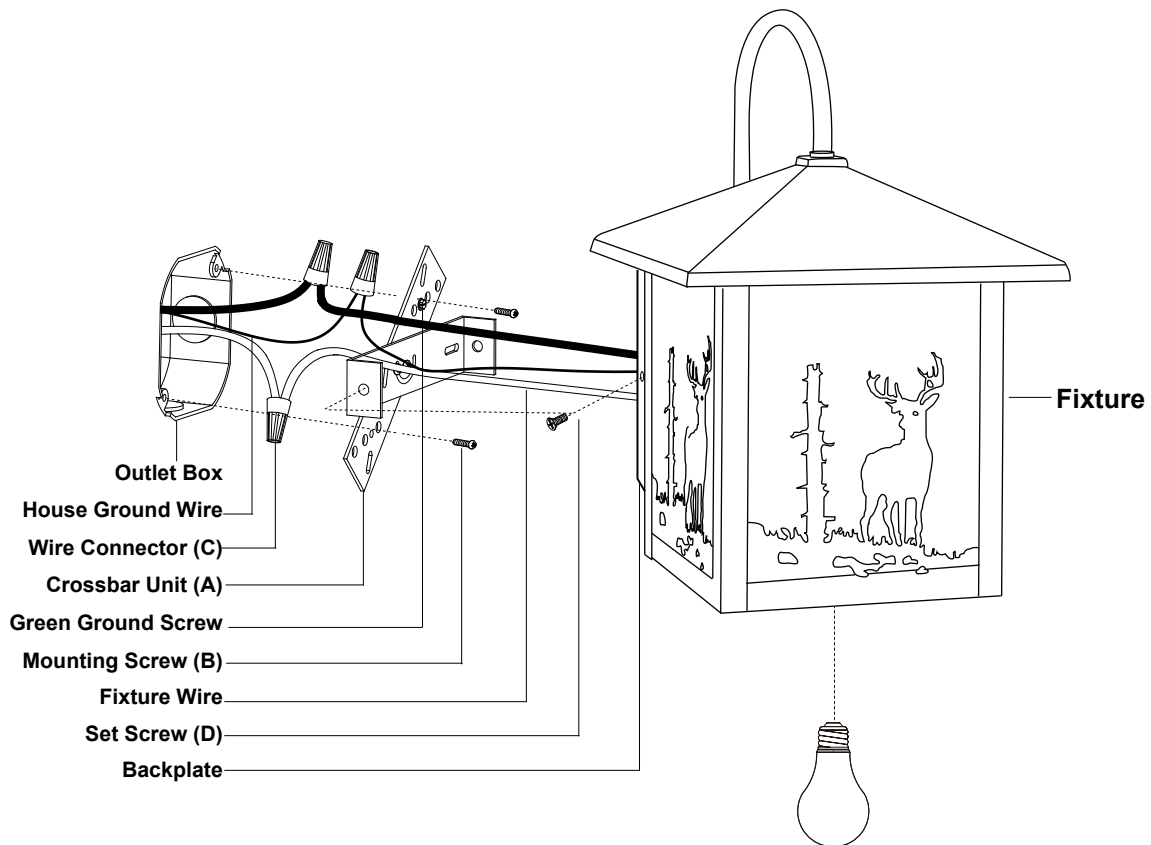
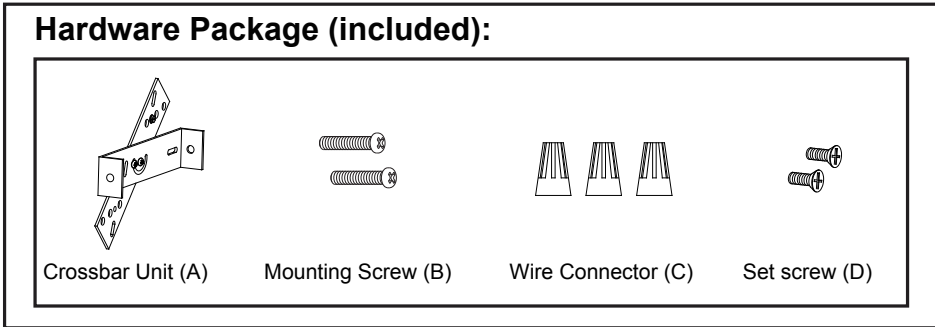


ASSEMBLY AND INSTALLATION INSTRUCTIONS

OW33483BBZ / OW33583BBZ / OW35083BBZ / OW36983BBZ

WARNING: Turn off the main power at circuit breaker before installing fixture.
AVERTISSEMENT: Coupez la source d'alimentation principale au panneau central de disjoncteurs avant d'installer le luminaire.

NOTE: 1. Before installing, consult local electrical codes for wiring and grounding requirements.
2. Read and save these instructions.



Max. 100W Type A Bulb
(not included)

Installation Steps

Turn off the power at fuse or circuit box

1. Attach crossbar unit (A) to the outlet box using two mounting screws (BB).
Note: Make sure that the two set holes are lined up horizontally to make the fixture level.

2. Pull out the outlet wires and house ground wire from the outlet box. Make wire connections using the wire connectors (C):
 - The black wire from the light to the black wire from the power source.
 - The white wire from the light to the white wire from the power source.
 - Attach the fixture ground wire to the crossbar unit (A) with the green ground screw, then connect it to the house ground wire with a wire connector (C).
 Carefully put the wires back into the outlet box.

3. Attach the backplate to the crossbar unit (A) by aligning the holes, then secure the backplate firmly with the set screws (D).

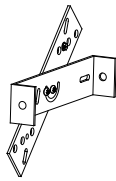
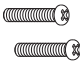
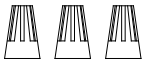

CAUTION: With silicone caulk compound, caulk completely around where the backplate meets with the wall surface to prevent water from seeping into the outlet box.

4. Install the bulb (not included). See relamping label at socket area or packaging for maximum wattage allowed.

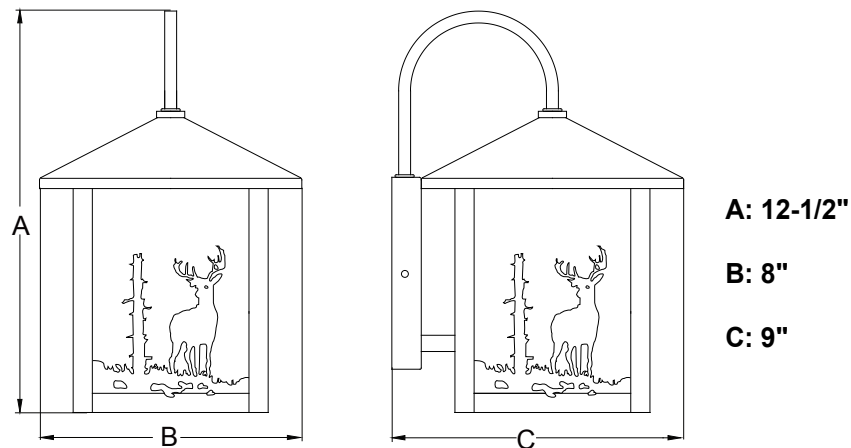
Turn on the power at fuse or circuit box.

The following parts are available for reorder if damaged or missing.

Spare Parts List:

			
Crossbar Unit (A)	Mounting Screw (B)	Wire Connector (C)	Set screw (D)

Mounting Hardware
 X-H33583BB (1SET) for OW33583BBZ
 X-H36983BB (1SET) for OW36983BBZ



1 Year Warranty

Vaxcel warrants all of our products against defects in workmanship and finishes for one year following the date of shipment.

Exclusions: This warranty does not include the failure of products from extreme acts of nature; environmental conditions not suited for the products intended use; operation in temperatures outside of the range specified in the instruction manual; usage with improper power supply, power surges or dips. For coastal locations, some corrosion is considered normal for the environment.

Vaxcel reserves the right to repair, replace or issue a credit for any properly installed product, provided it is returned per RMA instruction. This warranty is limited to the cost of the product only and does not extend to transportation, installation or replacement costs.

How can warranty service be obtained?

info@vaxcel.com
 1-800-482-9235