

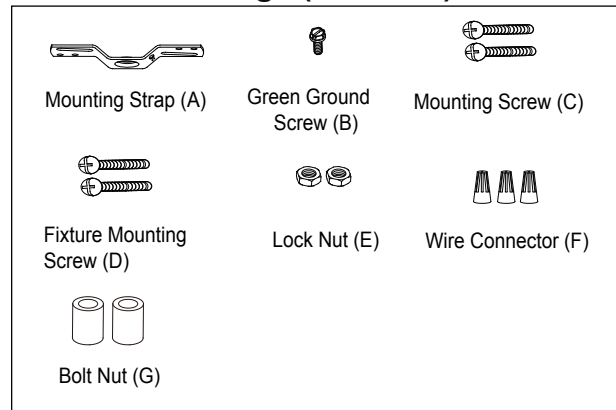
ASSEMBLY AND INSTALLATION INSTRUCTIONS

P0228

WARNING: TO AVOID RISK OF ELECTRICAL SHOCK, BE SURE TO SHUT OFF POWER WHILE INSTALLING OR SERVICING THIS FIXTURE.

NOTES: 1. Before installing, consult local electrical codes for wiring and grounding requirements.
2. READ AND SAVE THESE INSTRUCTIONS.

Hardware Package (included):



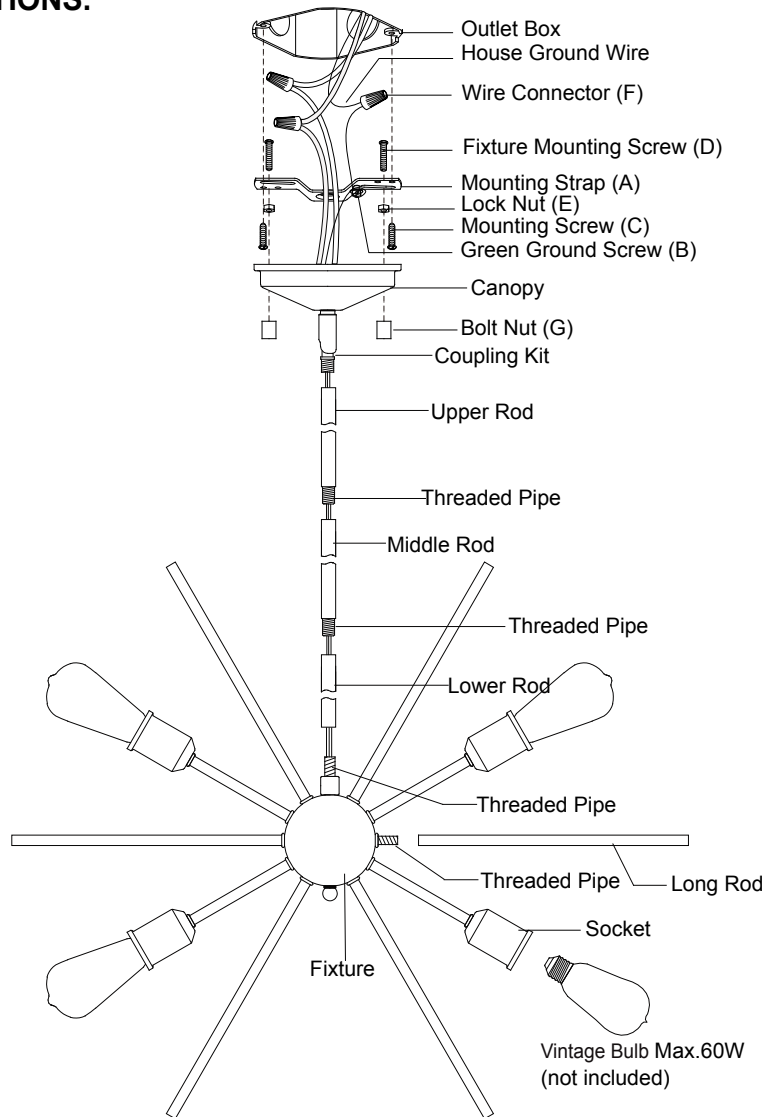
Installation Steps

Turn off the power at fuse or circuit box.

1. Thread fixture mounting screws through mounting strap, and then secure them with two lock nuts. Adjust the length of fixture mounting screws if necessary.
2. Attach mounting strap to outlet box using two mounting screws.
3. Rod Connections:
 - a. Thread the fixture wire from the fixture through the lower rod, and then secure the lower rod onto fixture using the threaded pipe.
 - b. Thread the fixture wire through the middle rod, and then secure the middle rod onto the lower rod using the threaded pipe.
 - c. Thread the fixture wire through the upper rod, and then secure the upper rod onto the middle rod using the threaded pipe.

Note: Length adjustable from 27-1/2" to 75". Use fewer rods if shorter length is desired.

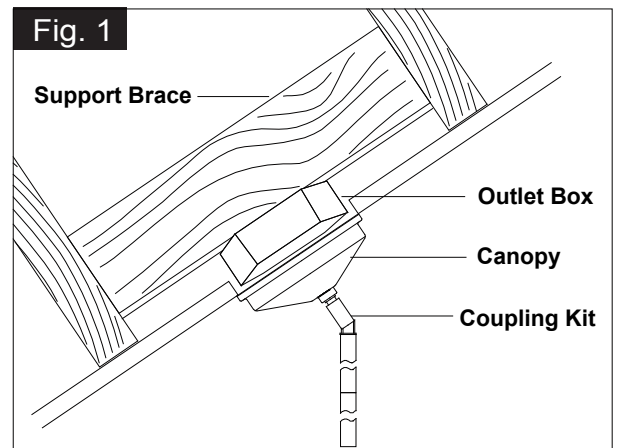
4. Thread the fixture wire through coupling kit, canopy, and then secure the rod assembly to the coupling kit.
5. Screw 12 long rods to the other threaded pipes of fixture.
6. Install bulbs (not included). See relamping label at socket area or packaging for maximum wattage allowed.
7. Pull out the source wires from the outlet box. Make wire connections using wire connectors as follows:
 - Connect the smooth-coated wire (marked) from the fixture to the black wire from the power source.
 - Connect the ribbed-coated wire (unmarked) from the fixture to the white wire from the power source.
 - Attach the fixture ground wire to the mounting strap with the green ground screw, and then connect it to the house grounding wire with a wire connector.
 Carefully put the wires back into the outlet box.



8. Attach the canopy to the mounting strap, and then secure it with two bolt nuts.

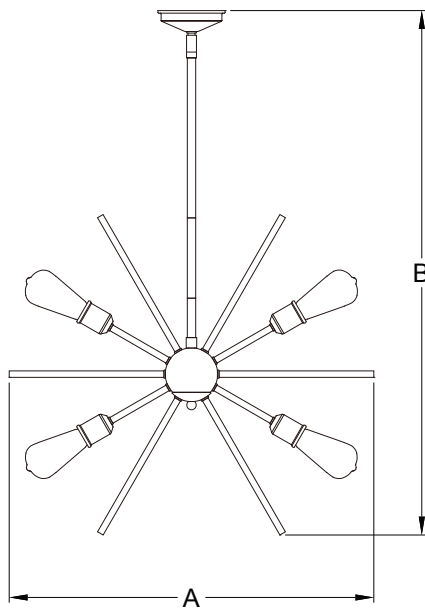
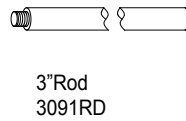
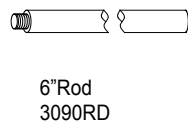
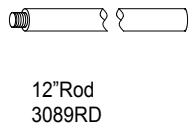
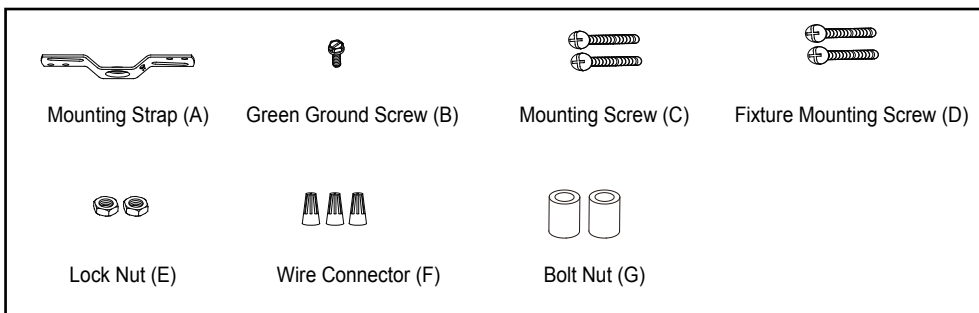
9. Angled mounting recommended for a vaulted or angled ceiling.
(See Fig. 1)

Turn on the power at fuse or circuit box.



The following parts are available for re-order if damaged or missing.

Spare Parts List:



A: 27-1/2"

B: 27-1/2"~75"