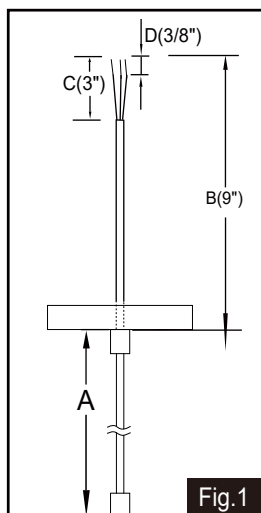
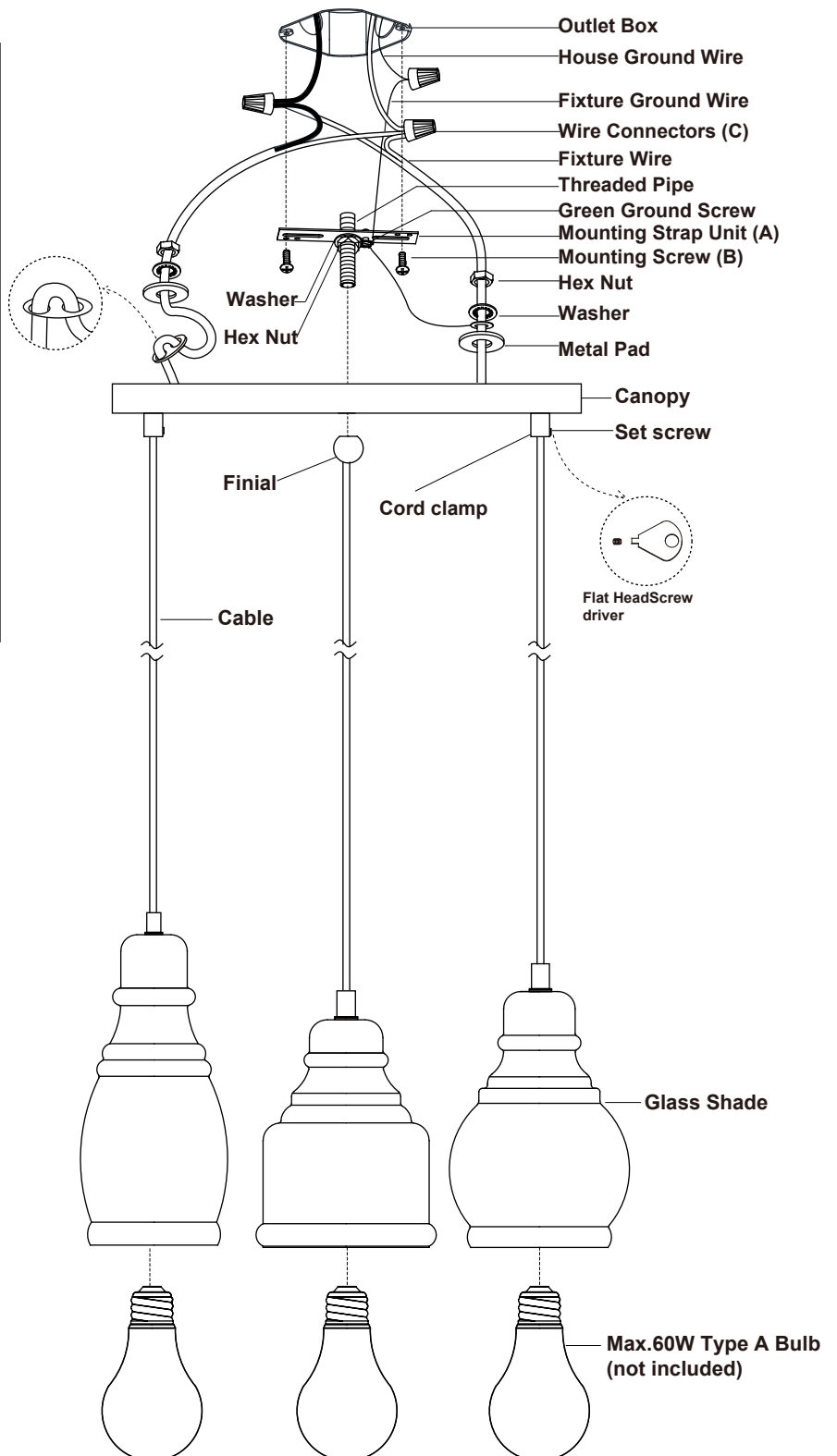
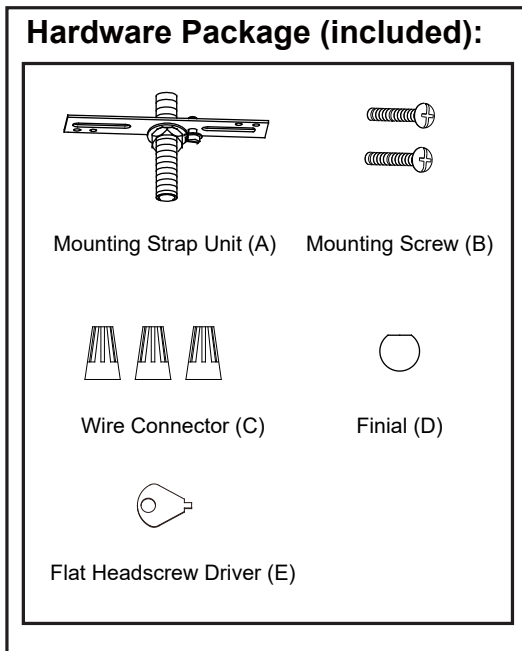


ASSEMBLY AND INSTALLATION INSTRUCTIONS

P0249 / P0250

WARNING: BE SURE TO SHUT OFF POWER AT THE MAIN FUSE OR CIRCUIT BREAKER BOX BEFORE INSTALLING OR SERVICING THIS FIXTURE.

**NOTE: 1. Before installing, consult local electrical codes for wiring and grounding requirements.
2. READ AND SAVE THESE INSTRUCTIONS.**

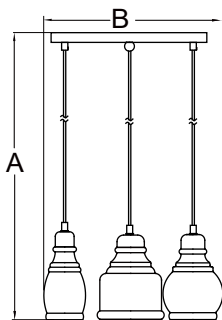


Installation Steps

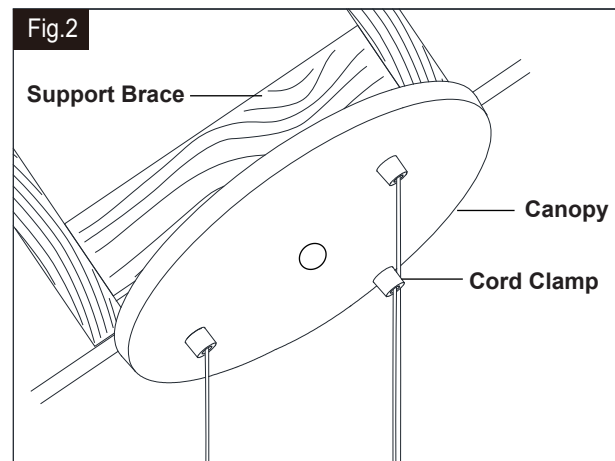
Turn off the power at fuse or circuit box.

1. Carefully unpack the fixture, lay out the fixture on a clean surface.
2. Measure the desired length of the cable (A) from the canopy to the top side of the cap nut and leave an additional 9" of cable (B) above the canopy (include the canopy). Then cut off the unnecessary cable. (See Fig.1)
3. Adjust strain relief at 9" position from the top of the cord.
4. Mark the 3" of cord (C) from the top of the cord (B). Use a knife to peel off the insulation of the cord (C) carefully to expose the 3 wires on the inside. (See Fig.1)
Caution: Cutting too deep may cut off the three inside wires and destroy the insulation surface of the three inside wires.
5. Peel off the wire from the top about 3/8" long(D) to expose the copper wires.
6. Fastening cable by screwing plastic headless screw, using flat head screwdriver (E).
7. Attach the mounting strap unit (A) to the outlet box by using two mounting screws (B).
8. Pull out the source wires from the outlet box.
Make wire connections using wire connectors (C) as follows:
 - Connect the fixture black wire to the house black wire using wire connectors (C) provided.
 - Connect the fixture white wire to the house white wire using wire connectors (C) provided.
 - Connect the bare ground wire from the canopy to the mounting strap unit (A) by securing it with the preinstalled ground screw, then connect it to the fixture green ground wire and the house ground wire with wire connectors (C).Tuck all the wires into outlet box.
9. Pull the cord (A) down slightly until the strain relief touches the hex nut.
Note: Adjusting the strain relief of the canopy can decrease or increase the length of cord that is exposed.
10. Attach the canopy to the mounting strap unit (A) by inserting the coupling, then secure it with the finial (D).
11. Angled mounting recommended for a vaulted or angled ceiling. (See Fig.2)

Turn on the power at fuse or circuit box.



A: 17-3/4"
B: 17-1/2"



1 Year Warranty

Vaxcel warrants all of our products against defects in workmanship and finishes for one year following the date of shipment.

Exclusions: This warranty does not include the failure of products from extreme acts of nature; environmental conditions not suited for the products intended use; operation in temperatures outside of the range specified in the instruction manual; usage with improper power supply, power surges or dips. For coastal locations, some corrosion is considered normal for the environment.

Vaxcel reserves the right to repair, replace or issue a credit for any properly installed product, provided it is returned per RMA instruction. This warranty is limited to the cost of the product only and does not extend to transportation, installation or replacement costs.

How can warranty service be obtained?

info@vaxcel.com
1-800-482-9235

 **VAXCEL**

240702