

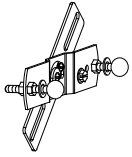
# ASSEMBLY AND INSTALLATION INSTRUCTIONS

T0016

**WARNING: Turn off the main power at circuit breaker before installing fixture.**  
**AVERTISSEMENT: Coupez la source d'alimentation principale au panneau central de disjoncteurs avant d'installer le luminaire.**

**NOTE: 1. Before installing, consult local electrical codes for wiring and grounding requirements.**  
**2. READ AND SAVE THESE INSTRUCTIONS.**

## Hardware Package (included):



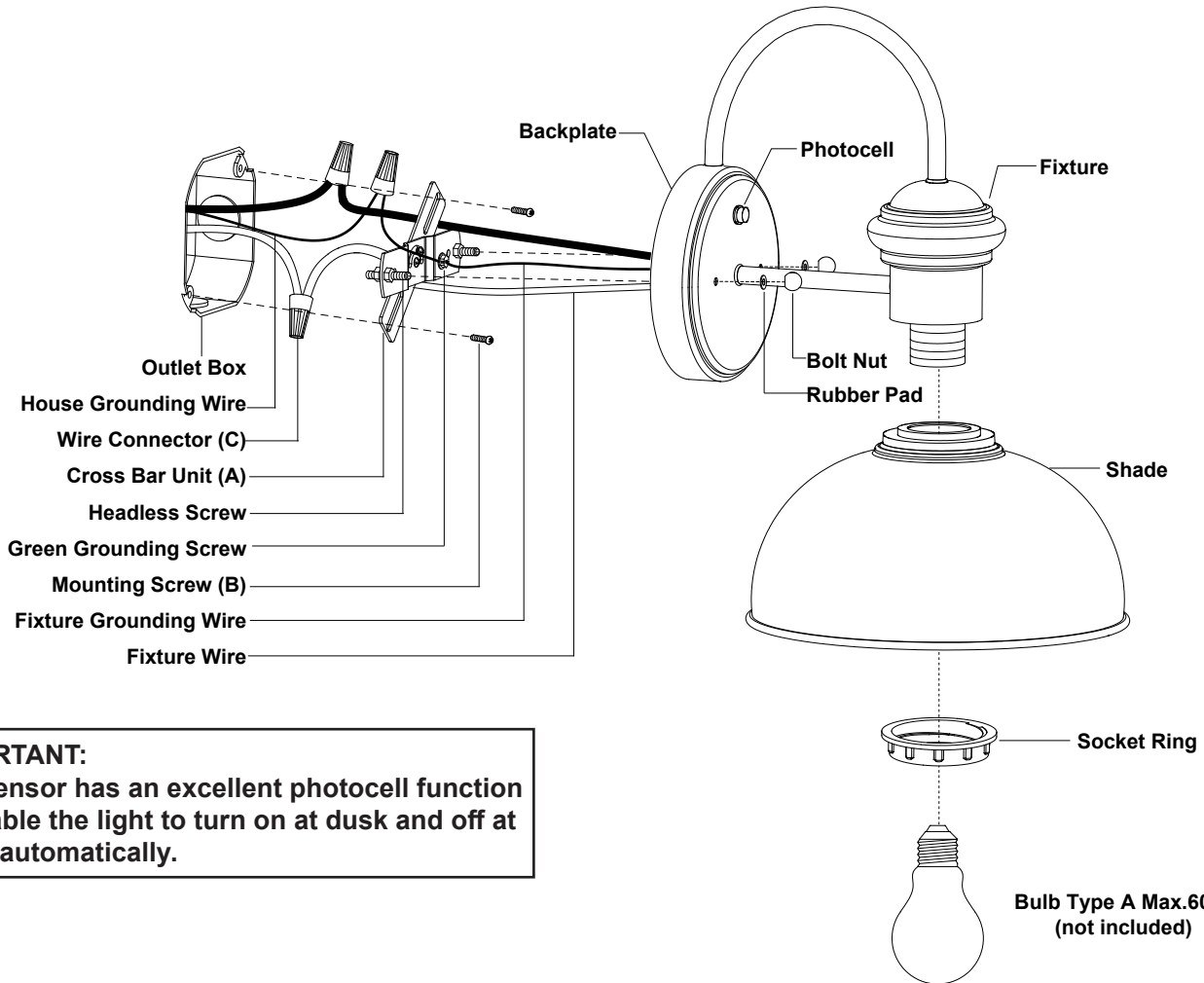
Cross Bar Unit (A)



Mounting Screw (B)



Wire Connector (C)



### IMPORTANT:

The sensor has an excellent photocell function to enable the light to turn on at dusk and off at dawn automatically.

## Installation steps

Turn off the power at fuse or circuit box.

1. Unscrew the two bolt nuts. Remove the two rubber pads and the cross bar unit (A) from the backplate.
2. Attach the cross bar unit (A) to the outlet box using two mounting screws (B). Adjust the length of the preinstalled headless screws if necessary.  
**Note: Make sure that the headless screws are lined up horizontally to make the fixture level.**
3. Pull out the source wires from the outlet box. Make wire connections using wire connectors (C) as follows:
  - Connect the hot wire (usually black insulation) from the fixture to the black wire from the power source.
  - Connect the neutral wire (usually white insulation) from the fixture to the white wire from the power source.
  - Attach the fixture grounding wire (usually green insulation or bare wire) to the cross bar unit (A) with the green grounding screw. Then, depending on local code, connect it to the house grounding wire with the wire connector (C).Carefully put all of the wires back into the outlet box.
4. Attach the backplate of the fixture to the cross bar unit (A) by aligning and inserting the two headless screws from the cross bar unit (A) into the open holes on the backplate, then place the two rubber pads over the exposed headless screws before screwing the two bolt nuts.  
**Note: With silicone caulking compound, caulk completely around where the backplate meets with the wall surface to prevent water from seeping into the outlet box.**
5. Attach the shade onto the fixture, secure it with the socket ring.
6. Install bulb (not included). See relamping label at socket area or packaging for maximum wattage allowed .

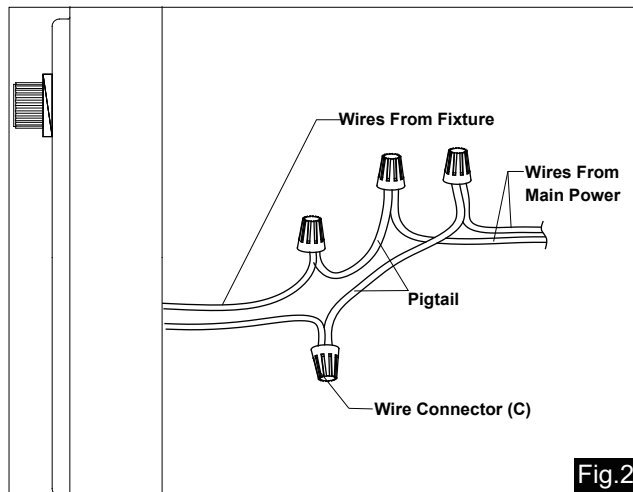
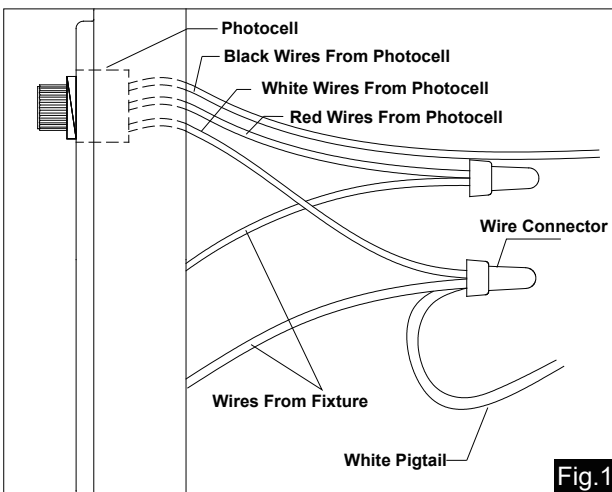
Turn on the power at fuse or circuit box.

## Optional Installation: Disconnect Dusk-to-Dawn Photocell

### IMPORTANT:

Compatible with dimmer when photocell is disconnected.

\* Requires dimmable bulb and compatible dimmer switch.

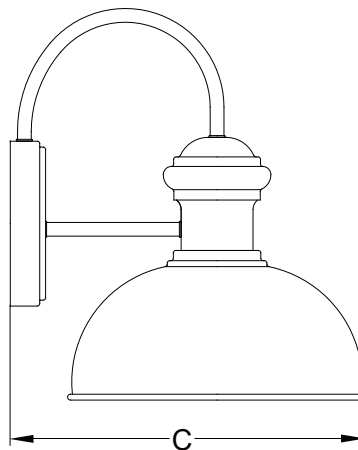
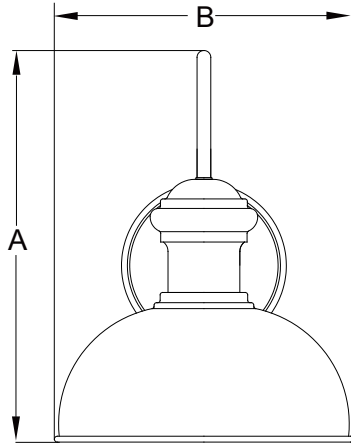
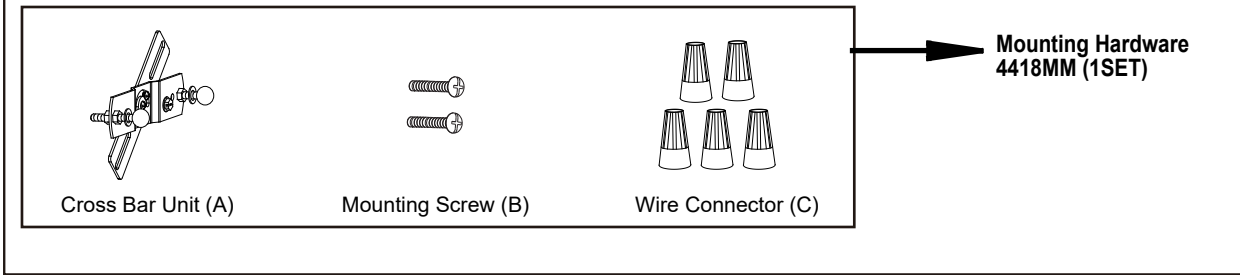


1. Turn off the power at the fuse or circuit box before starting installation.
2. Loosen the wire connector connected with the wires from photocell. (See Fig.1)  
**Note: Do not remove the photocell to prevent water from seeping into the outlet box.**
3. Take a white pigtail and black pigtail and make wire connections using wire connector (C): (See Fig.2)
  - a. The black wire from the fixture to one end of the black pigtail.
  - b. The white wire from the fixture to one end of the white pigtail.
  - c. The other end of the black pigtail to the black wire from the power source.
  - d. The other end of the white pigtail to the white wire from the power source.Put all wires back into the back plate of the fixture.

Turn on the power at fuse or circuit box.

The following parts are available for re-order if damaged or missing.

**Spare Parts List:**



**A: 12-3/4"**

**B: 10"**

**C: 12"**

**1 Year Warranty**

Vaxcel warrants all of our products against defects in workmanship and finishes for one year following the date of shipment.

*Exclusions: This warranty does not include the failure of products from extreme acts of nature; environmental conditions not suited for the products intended use; operation in temperatures outside of the range specified in the instruction manual; usage with improper power supply, power surges or dips. For coastal locations, some corrosion is considered normal for the environment.*

*Vaxcel reserves the right to repair, replace or issue a credit for any properly installed product, provided it is returned per RMA instruction. This warranty is limited to the cost of the product only and does not extend to transportation, installation or replacement costs.*

How can warranty service be obtained?

info@vaxcel.com  
1-800-482-9235