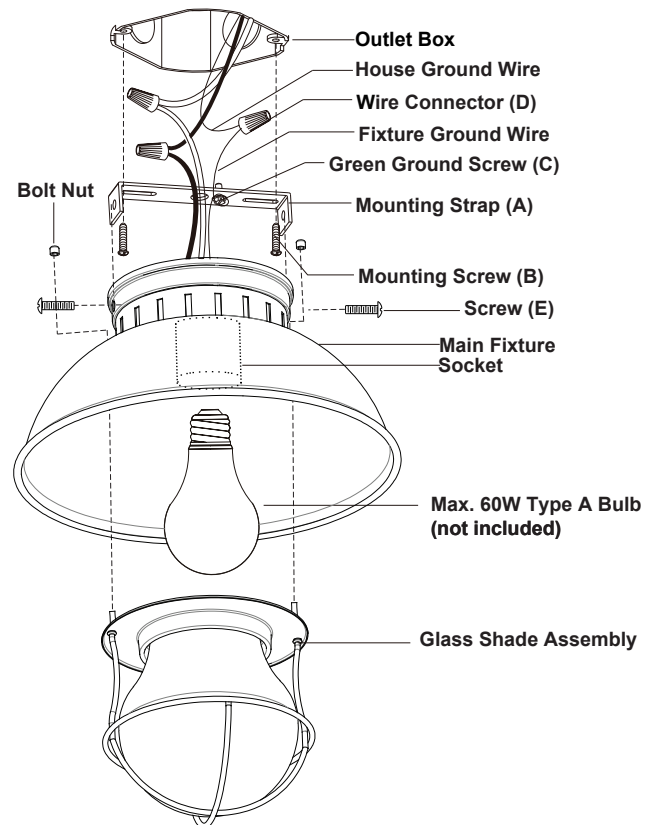
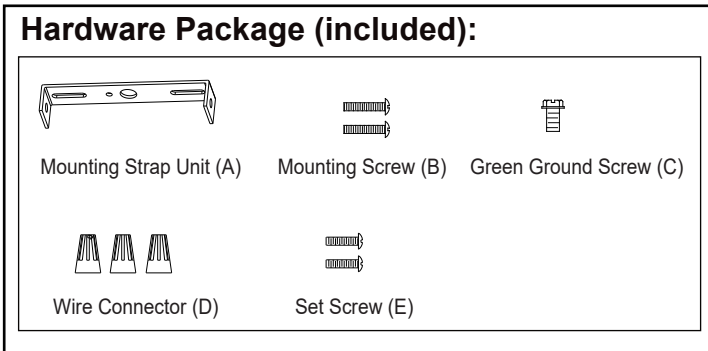


# ASSEMBLY AND INSTALLATION INSTRUCTIONS

T0142 / T0143 / T0264

**WARNING: Turn off the main power at circuit breaker before installing fixture.**  
**AVERTISSEMENT: Coupez la source d'alimentation principale au panneau central de disjoncteurs avant d'installer le luminaire.**

**NOTE: 1. Before installing, consult local electrical codes for wiring and grounding requirements.**  
**2. READ AND SAVE THESE INSTRUCTIONS.**



## Installation Steps

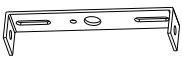




**Turn off the power at fuse or circuit box.**

1. Unscrew the set screw (E) from the mounting strap unit (A).
2. Attach the mounting strap (A) to the outlet box by using two mounting screws (B).
3. Install the bulb (not included). See relamping label at socket area or package for maximum wattage allowed .
4. Attach the glass shade assembly to the fixture by using two bolt nuts.
5. Pull out the source wires from the outlet box. Make wire connections using wire connectors (D) as follows:
  - Connect the hot wire (black insulation) from the fixture to the black wire from the power source.
  - Connect the neutral wire (white insulation) from the fixture to the white wire from the power source.
  - Attach the fixture ground wire (bare wire) to the mounting strap (A) with the green ground screw (C). Then, depending on local code, connect it to the house ground wire with the wire connector (D). Carefully put all of the wires back into the outlet box.
6. Attach the fixture to the mounting strap unit (A) by using two set screws (E).

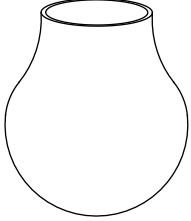
**Turn on the power at fuse or circuit box.**

The following parts are available for re-order if damaged or missing.

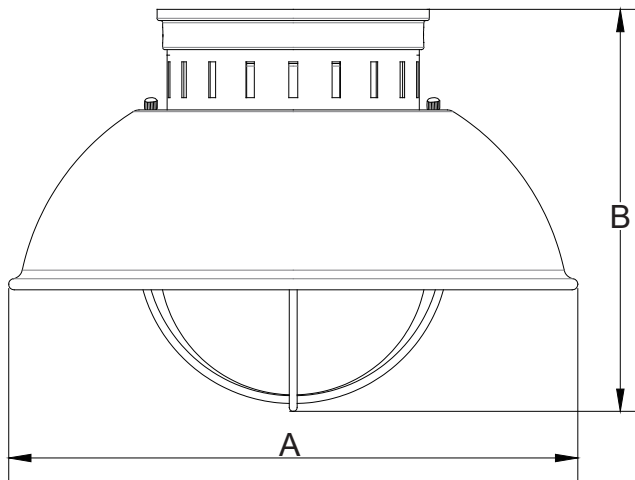
**Spare Parts List:**

				
Mounting Strap Unit (A)	Mounting Screw (B)	Green Ground Screw (C)	Wire Connector (D)	Set Screw (E)

↓  
Assembly Kit  
5176MM (1 SET) for T0142  
5177MM (1 SET) for T0143  
5565MM (1 SET) for T0264



Glass Shade  
10209CS



**A: 10"**  
**B: 7-3/4"**

### 1 Year Warranty

Vaxcel warrants all of our products against defects in workmanship and finishes for one year following the date of shipment.

*Exclusions: This warranty does not include the failure of products from extreme acts of nature; environmental conditions not suited for the products intended use; operation in temperatures outside of the range specified in the instruction manual; usage with improper power supply, power surges or dips. For coastal locations, some corrosion is considered normal for the environment.*

*Vaxcel reserves the right to repair, replace or issue a credit for any properly installed product, provided it is returned per RMA instruction. This warranty is limited to the cost of the product only and does not extend to transportation, installation or replacement costs.*

How can warranty service be obtained?

info@vaxcel.com  
1-800-482-9235