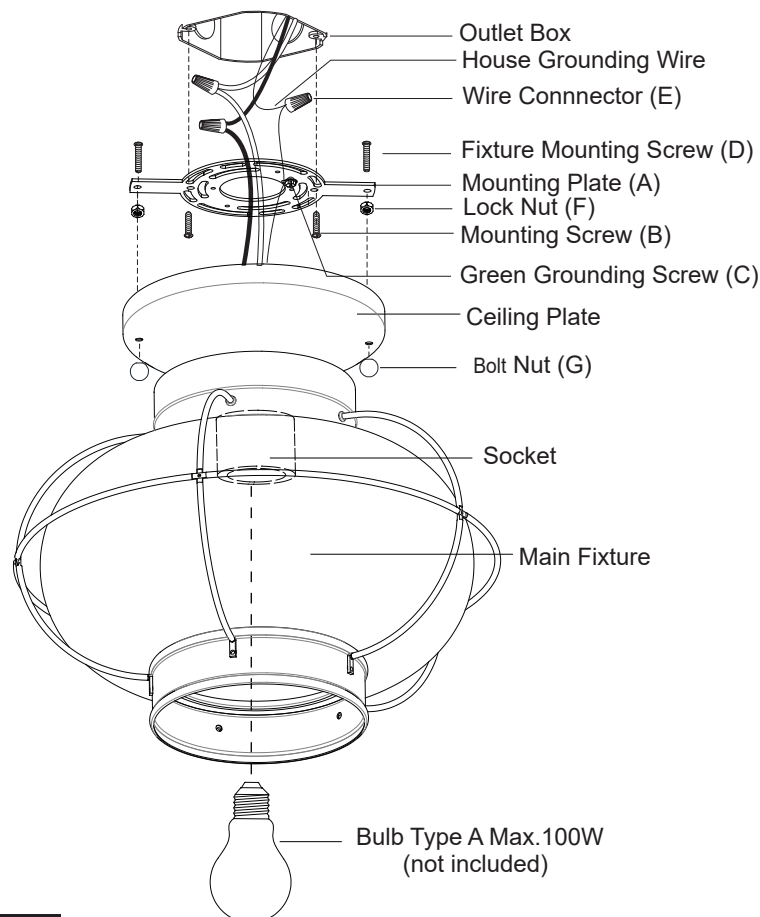
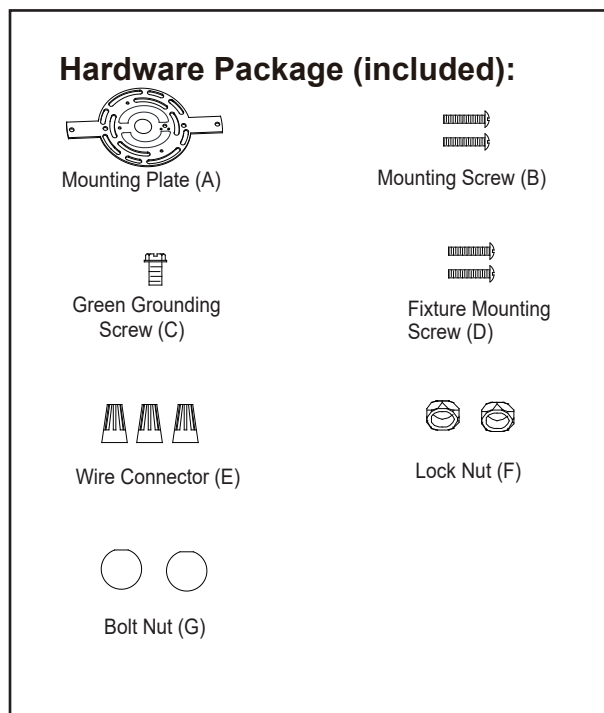


# ASSEMBLY AND INSTALLATION INSTRUCTIONS

T0144 / T0145

**WARNING:** TO AVOID RISK OF ELECTRICAL SHOCK, BE SURE TO SHUT OFF POWER WHILE INSTALLING OR SERVICING THIS FIXTURE.

**NOTES:** 1. Before installing, consult local electrical codes for wiring and grounding requirements.  
2. READ AND SAVE THESE INSTRUCTIONS.



## Installation Steps

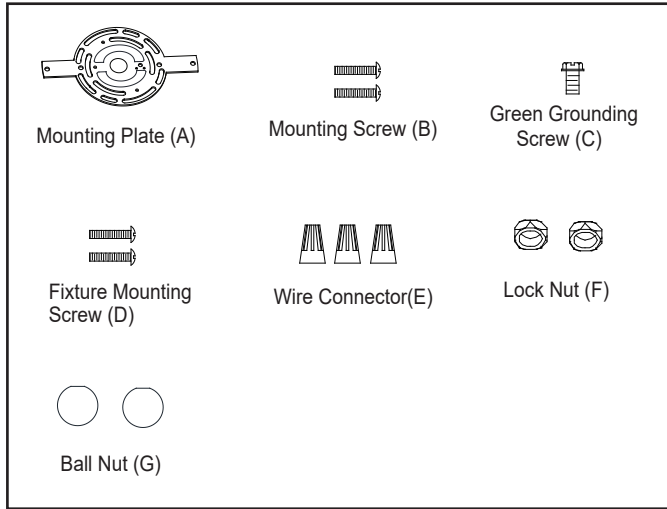
Turn off the power at the main fuse or circuit breaker box.

1. Remove the mounting plate from the ceiling plate.
2. Attach the mounting plate to the outlet box using two mounting screws.
3. Pull out the wires and grounding wire from the outlet box. Make wire connections using the wire connectors. as follow:
  - Connect the hot wire (usually black insulation) from the fixture to the black wire from the power source.
  - Connect the neutral wire (usually white insulation) from the fixture to the white wire from the power source.
  - Attach the fixture grounding wire (usually green insulation or bare wire) to the mounting plate with the green grounding screw. Then connect it to the house grounding wire with the wire connector.Carefully put the wires back into the outlet box.
4. Attach the main fixture to the mounting plate by inserting the fixture mounting screws, and secure it with two bolt nuts.
5. Install bulb (not included). See relamping label at socket area or packaging for maximum allowed wattage.

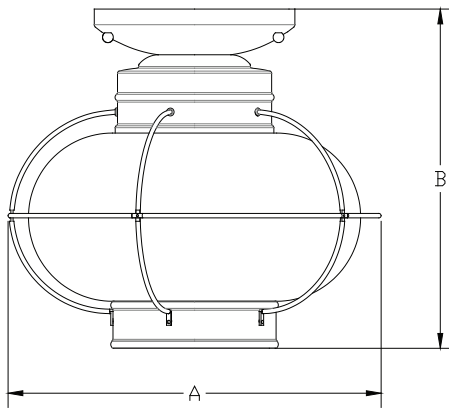
Turn on the power at the main fuse or circuit breaker box.

The following parts are available for re-order if damaged or missing.

**Spare Parts List:**



→ Assembly Kit  
5174MM (1 SET) for T0144  
5175MM (1 SET) for T0145



**A: 13"**  
**B: 12"**

**1 Year Warranty**

Vaxcel warrants all of our products against defects in workmanship and finishes for one year following the date of shipment.

*Exclusions: This warranty does not include the failure of products from extreme acts of nature; environmental conditions not suited for the products intended use; operation in temperatures outside of the range specified in the instruction manual; usage with improper power supply, power surges or dips. For coastal locations, some corrosion is considered normal for the environment.*

*Vaxcel reserves the right to repair, replace or issue a credit for any properly installed product, provided it is returned per RMA instruction. This warranty is limited to the cost of the product only and does not extend to transportation, installation or replacement costs.*

How can warranty service be obtained?

info@vaxcel.com  
1-800-482-9235