

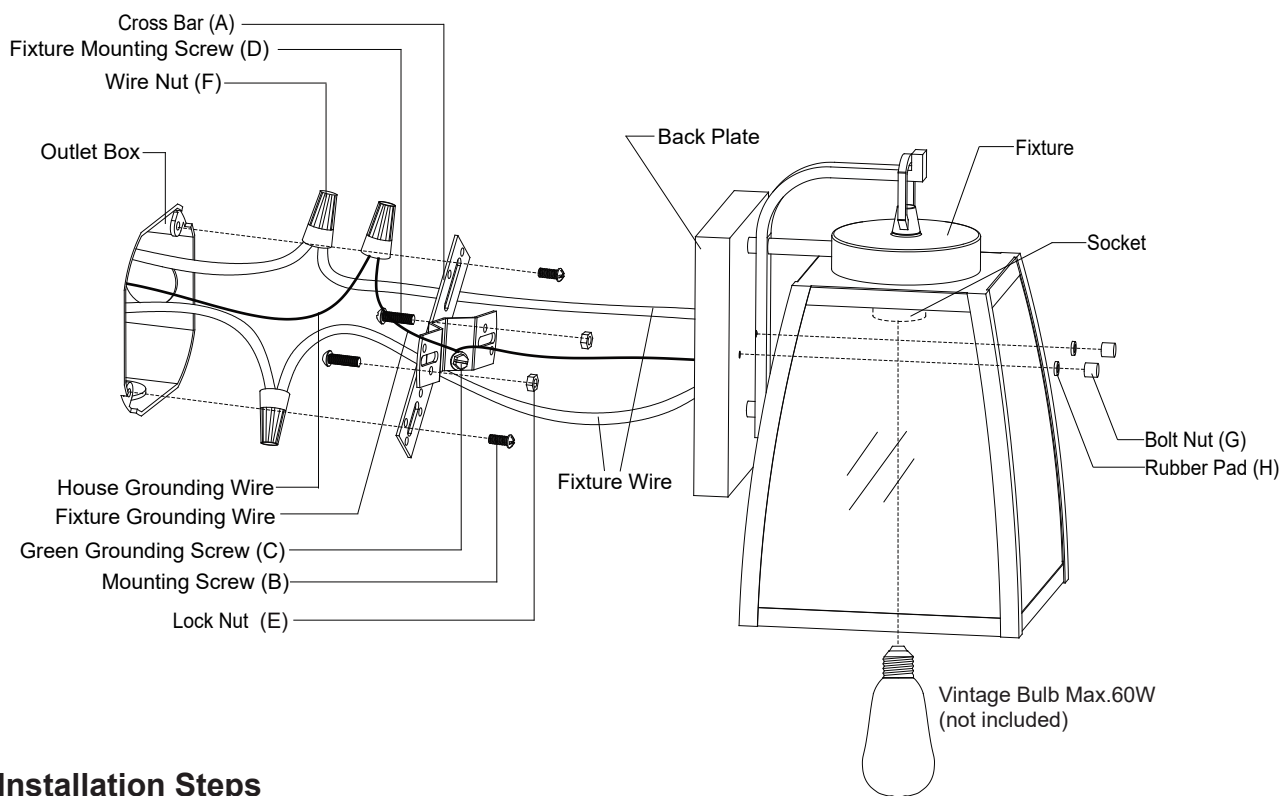
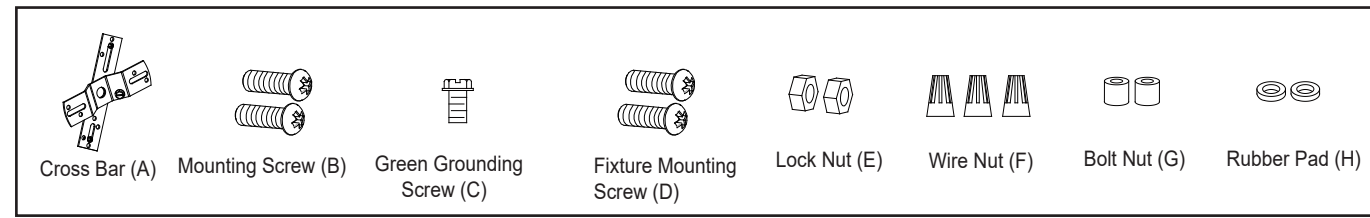
# ASSEMBLY AND INSTALLATION INSTRUCTIONS

T0207

**WARNING:** TO AVOID RISK OF ELECTRICAL SHOCK, BE SURE TO SHUT OFF POWER BEFORE INSTALLING OR SERVICING THIS FIXTURE.

**NOTES:** 1. Before installing, consult local electrical codes for wiring and grounding requirements.  
2. READ AND SAVE THESE INSTRUCTIONS.

## Hardware Package (included):



## Installation Steps

Turn off the power at fuse or circuit box.

1. Thread two fixture mounting screws through the cross bar, and then secure them with two lock nuts. Adjust the length of the fixture mounting screws if necessary.

**Note:** Make sure that the fixture mounting screws are lined up horizontally to make the fixture level.

2. Attach cross bar to the outlet box using two mounting screws.

3. Pull out the source wires from the outlet box. Make wire connections using wire nuts as follows:

- Connect the hot wire (usually black insulation) from the fixture to the black wire from the power source.
- Connect the neutral wire (usually white insulation) from the fixture to the white wire from the power source.
- Attach the fixture grounding wire (usually green insulation or bare wire) to the cross bar with the green grounding screw, and then connect it to the house grounding wire with the wire nut.

Carefully put the wires back into the outlet box.

4. Attach the back plate to the cross bar by inserting two fixture mounting screws, and then secure it with two rubber pads and two bolt nuts.

**NOTE: With silicone caulking compound, caulk completely around where the back plate meets with the wall surface to prevent water from seeping into the outlet box.**

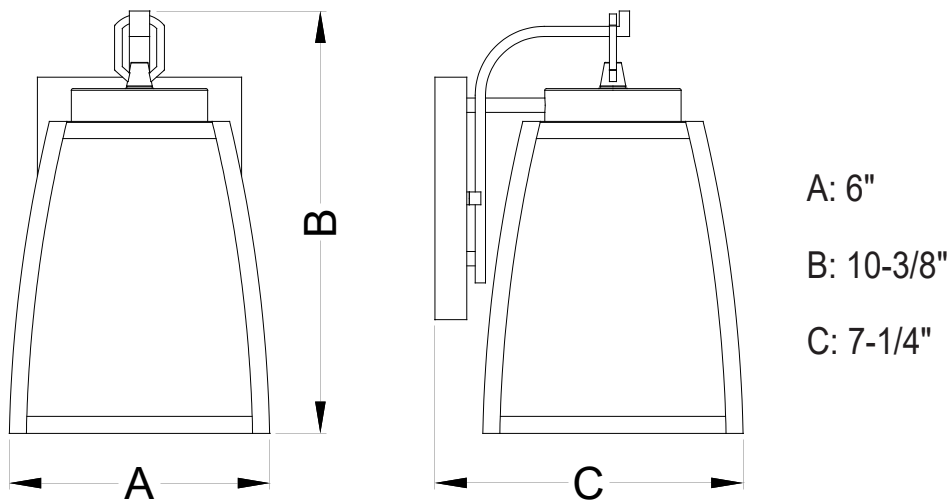
5. Install a bulb(not included). Check relamping label at socket area or packaging for maximum allowed wattage.

**Turn on the power at fuse or circuit box**

The following parts are available for re-order if damaged or missing.

**Spare Parts List:**

Cross Bar (A)	Mounting Screw (B)	Green Grounding Screw (C)	Fixture Mounting Screw (D)	← Assembly Kit 5478MM (1 SET)
Lock Nut (E)	Wire Nut (F)	Bolt Nut (G)	Rubber Pad (H)	



**1 Year Warranty**

Vaxcel warrants all of our products against defects in workmanship and finishes for one year following the date of shipment.

*Exclusions: This warranty does not include the failure of products from extreme acts of nature; environmental conditions not suited for the products intended use; operation in temperatures outside of the range specified in the instruction manual; usage with improper power supply, power surges or dips. For coastal locations, some corrosion is considered normal for the environment.*

*Vaxcel reserves the right to repair, replace or issue a credit for any properly installed product, provided it is returned per RMA instruction. This warranty is limited to the cost of the product only and does not extend to transportation, installation or replacement costs.*

How can warranty service be obtained?

info@vaxcel.com  
 1-800-482-9235