

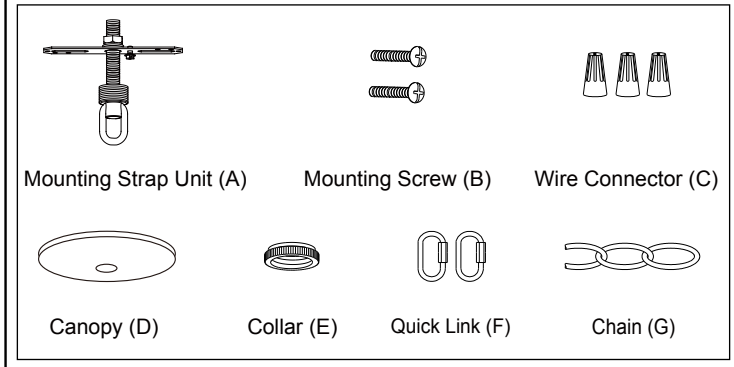
ASSEMBLY AND INSTALLATION INSTRUCTIONS

T0219

WARNING: Turn off the main power at circuit breaker before installing fixture.
AVERTISSEMENT: Coupez la source d'alimentation principale au panneau central de disjoncteurs avant d'installer le luminaire.

NOTE: 1. Before installing, consult local electrical codes for wiring and grounding requirements.
2. Read and save these instructions.

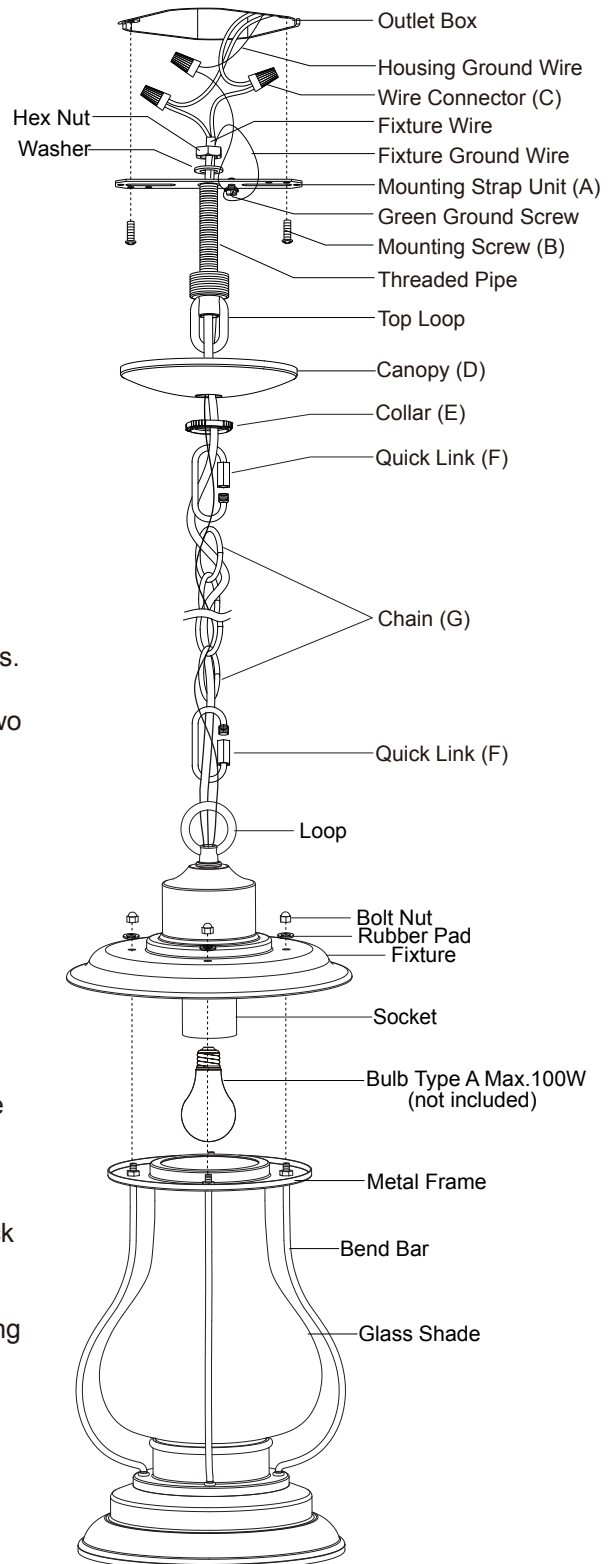
Hardware Package (included):



Installation Steps

Turn off the power at fuse or circuit box

1. Remove the EVA plugged between glass shade and bend bars.
2. Attach the mounting strap unit (A) to the outlet box by using two mounting screws (B).
3. Unscrew four bolt nuts and four rubber pads to remove the metal frame from the fixture.
4. Install a bulb (not included). See relamping label at socket area or packaging for maximum wattage allowed.
5. Attach the metal frame back to fixture, and then secure it with four rubber pads and four bolt nuts.
6. Adjust the length of the chain (G) you needed, then weave the fixture wire and the fixture ground wire through the chain (G), collar (E) and canopy (D).
7. Connect one end of the chain (G) with the loop by using a quick link (F).
8. Connect the other end of the chain (G) with the top loop by using another quick link (F).
9. Thread the fixture wire and fixture ground wire through the threaded pipe on the mounting strap unit (A).

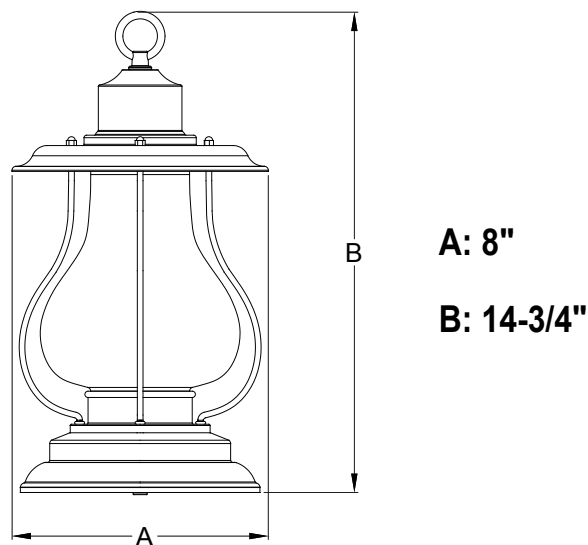
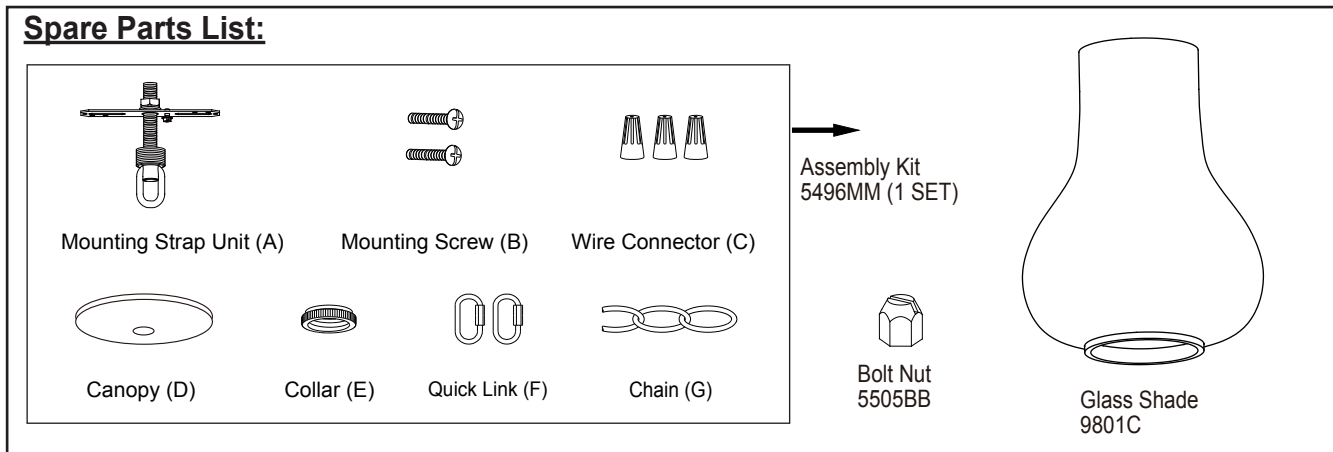


10. Make wire connections with wire connectors (C):
- Connect the smooth wire (marked) from fixture to the black wire from power source.
 - Connect the ridged wire (unmarked) from fixture to the white wire from power source.
 - Attach the ground wire to the mounting strap unit (A) with the green ground screw, then connect it to the house ground wire with the wire connector (C).
- Carefully tuck wires back into the ceiling box.

11. Attach the canopy to the mounting strap unit (A) by inserting the top loop, and then secure with the collar (E).

Turn on the power at fuse or circuit box

The following parts are available for reorder if damaged or missing.



1 Year Warranty

Vaxcel warrants all of our products against defects in workmanship and finishes for one year following the date of shipment.

Exclusions: This warranty does not include the failure of products from extreme acts of nature; environmental conditions not suited for the products intended use; operation in temperatures outside of the range specified in the instruction manual; usage with improper power supply, power surges or dips. For coastal locations, some corrosion is considered normal for the environment.

Vaxcel reserves the right to repair, replace or issue a credit for any properly installed product, provided it is returned per RMA instruction. This warranty is limited to the cost of the product only and does not extend to transportation, installation or replacement costs.

How can warranty service be obtained?

info@vaxcel.com
1-800-482-9235



231229