

ASSEMBLY AND INSTALLATION INSTRUCTIONS

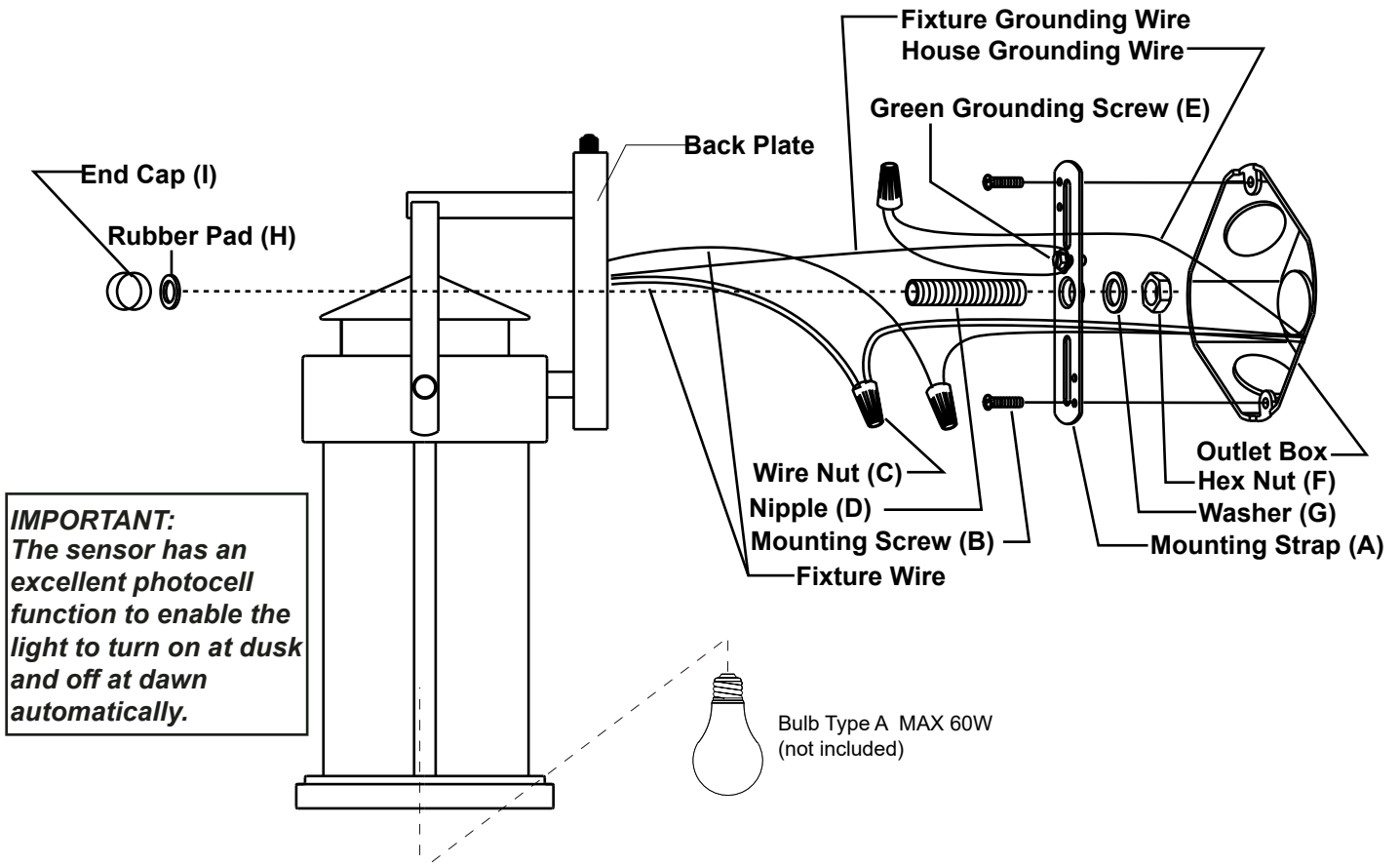
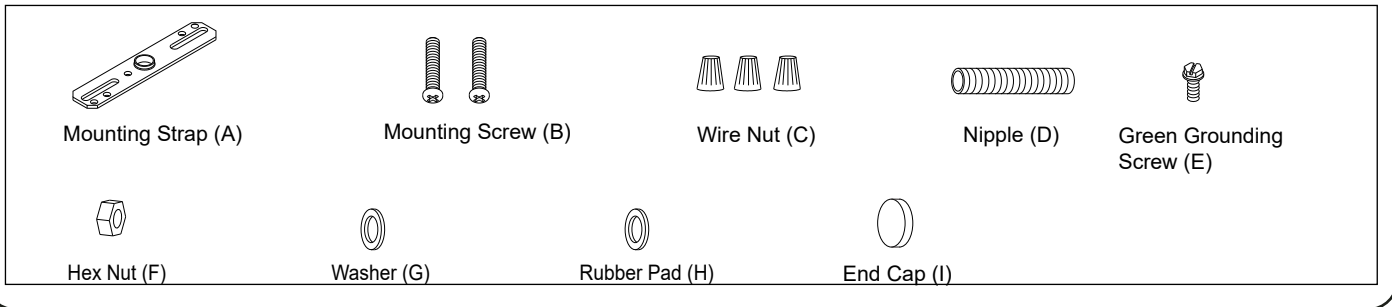
T0286

WARNING: BE SURE TO SHUT OFF POWER AT THE MAIN FUSE OR CIRCUIT BREAKER BOX BEFORE INSTALLING OR SERVICING THIS FIXTURE.

**NOTE: 1. Before installing, consult local electrical codes for wiring and grounding requirements.
2. READ AND SAVE THESE INSTRUCTIONS.**

Parts:

Parts Number (5603MM)

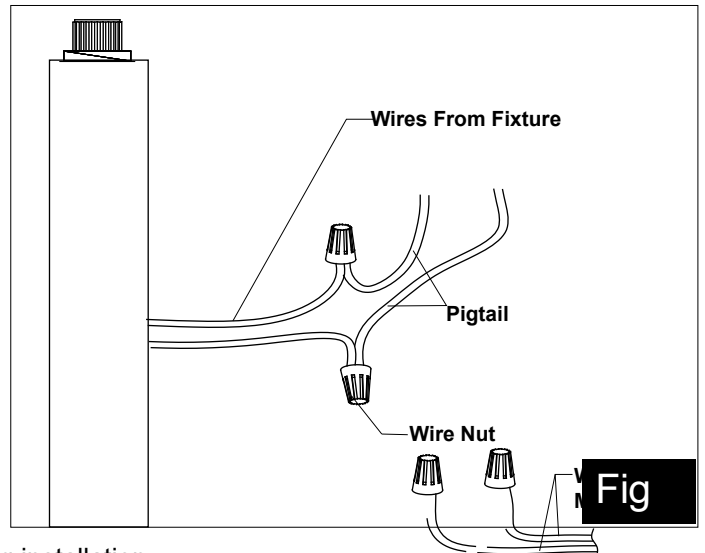
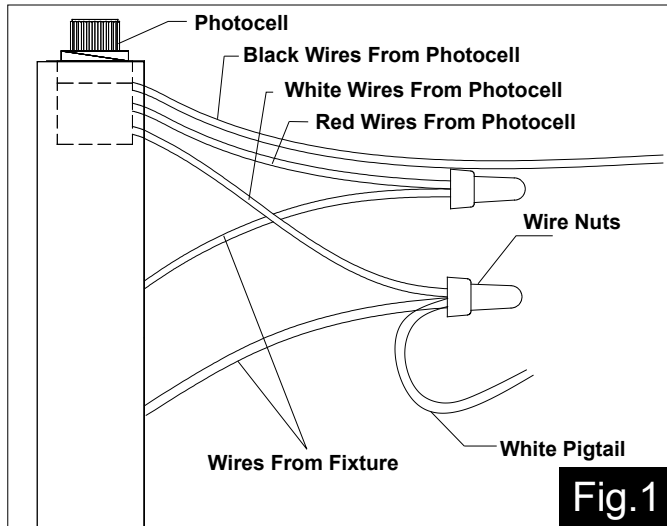


IMPORTANT:
The sensor has an excellent photocell function to enable the light to turn on at dusk and off at dawn automatically.

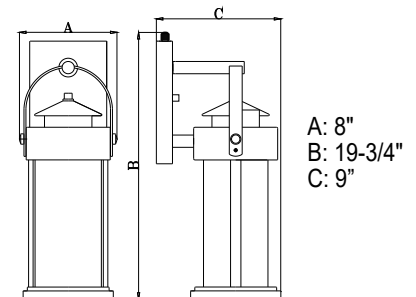
1. Attach the nipple to the mounting strap, then secure it with a washer and hex nut.
 2. Attach the mounting strap to the outlet box by using two mounting screws.
 3. Pull out the outlet wires and house grounding wire from the outlet box. Make wire connections using the wire nuts:
 - The black wire from the fixture to the black wire from the power source.
 - The white wire from the fixture to the white wire from the power source.
 - Attach the fixture grounding wire to the mounting strap with the green grounding screw. Then connect it to the house grounding wire with a wire nut.
- Carefully put the wires back into the outlet box.

4. Attach the fixture to the mounting strap by inserting the nipple, then secure it with the rubber pad and end cap.
CAUTION: With silicone caulking compound, caulk completely around where the back plate meets with the wall surface to prevent water from seeping into the outlet box.
5. Install a bulb (not included). See relamping label on socket area or packaging for maximum allowed wattage.
6. Turn on the power at the main fuse or circuit breaker box.

Operation the Unit Without Photocell



1. Turn off the power at the fuse or circuit box before starting installation.
2. Loosen the wire nuts connected with the wires from photocell. (See Fig.1)
Note: Do not move the photocell to prevent water from seeping into the outlet box.
3. Take a white pigtail and black pigtail and make wire connections using wire nuts: (See Fig.2)
 - a. The black wire from the fixture to one end of the black pigtail.
 - b. The white wire from the fixture to one end of the white pigtail.
 - c. The other end of the black pigtail to the black wire from the power source.
 - d. The other end of the white pigtail to the white wire from the power source.
 Put all wires back into the back plate of the fixture.



5 Year Limited Warranty

Vaxcel warrants all of our products against defects in workmanship and finishes for one year following the date of shipment.

In addition:

- Any product with an integrated motion sensor or dusk-to-dawn photocell is supported by a 5-year warranty for the functionality of the product.
- Any product with integrated LED modules is covered by a 5-year warranty on the LED functionality.

Exclusions: This warranty does not include the failure of products from extreme acts of nature; environmental conditions not suited for the products intended use; operation in temperatures outside of the range specified in the instruction manual; usage with improper power supply, power surges or dips. For coastal locations, some corrosion is considered normal for the environment.

Vaxcel reserves the right to repair, replace or issue a credit for any properly installed product, provided it is returned per RMA instruction. This warranty is limited to the cost of the product only and does not extend to transportation, installation or replacement costs.

How can warranty service be obtained?
 info@vaxcel.com
 1-800-482-9235