

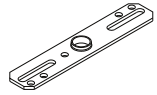
ASSEMBLY AND INSTALLATION INSTRUCTIONS

T0315

WARNING: TO AVOID RISK OF ELECTRICAL SHOCK, BE SURE TO SHUT OFF POWER BEFORE INSTALLING OR SERVICING THIS FIXTURE.

NOTE: 1. Before installing, consult local electrical codes for wiring and grounding requirements.
2. READ AND SAVE THESE INSTRUCTIONS.

Hardware Package (included):



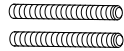
Mounting Strap (A)



Mounting Screw (B)



Wire Nut (C)



Headless Screw (D)



Green Grounding Screw (E)



Lock Nut (F)



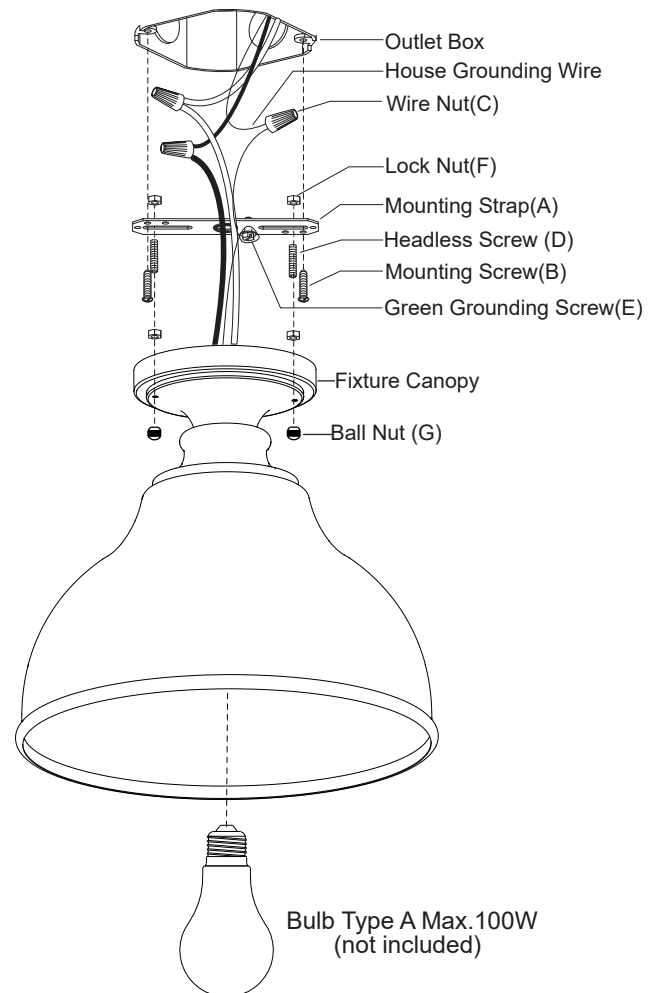
Ball Nut (G)

Installation Steps

Turn off the power at fuse or circuit box

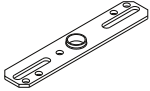
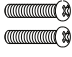

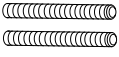


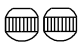
1. Attach two headless screws to the mounting strap, and then secure it with four lock nuts. Adjust the length of headless screws if necessary.
2. Attach the mounting strap to the outlet box using two mounting screws.
3. Pull out the source wires from the outlet box. Make wire connections using wire nuts as follows:
 - Connect the hot wire (usually black insulation) from the fixture to the black wire from the power source.
 - Connect the neutral wire (usually white insulation) from the fixture to the white wire from the power source.
 - Attach the fixture grounding wire (usually green insulation or bare wire) to the mounting strap with the green grounding screw, and then connect it to the house grounding wire with a wire nut.Carefully put the wires back into the outlet box.
4. Attach the fixture canopy to the mounting strap by inserting the headless screws, and then secure it with two ball nuts.
5. Install a bulb (not included). Check relamping label at socket area or packaging for maximum allowed wattage.

Turn on the power at fuse or circuit box

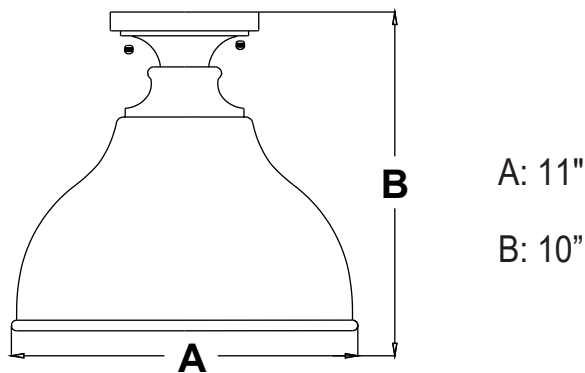


The following parts are available for re-order if damaged or missing.

Spare Parts List:

 Mounting Strap (A)	 Mounting Screw (B)	 Wire Nut (C)	 Headless Screw (D)	 Green Grounding Screw (E)
 Lock Nut (F)	 Ball Nut (G)			

→ Assembly Kit 5635MM (1SET)



1 Year Warranty

Vaxcel warrants all of our products against defects in workmanship and finishes for one year following the date of shipment.

Exclusions: This warranty does not include the failure of products from extreme acts of nature; environmental conditions not suited for the products intended use; operation in temperatures outside of the range specified in the instruction manual; usage with improper power supply, power surges or dips. For coastal locations, some corrosion is considered normal for the environment.

Vaxcel reserves the right to repair, replace or issue a credit for any properly installed product, provided it is returned per RMA instruction. This warranty is limited to the cost of the product only and does not extend to transportation, installation or replacement costs.

How can warranty service be obtained?
info@vaxcel.com
1-800-482-9235