

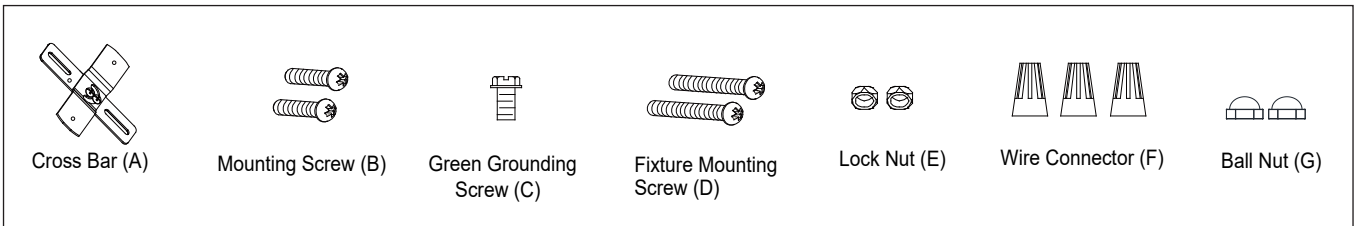
ASSEMBLY AND INSTALLATION INSTRUCTIONS

T0440

WARNING: TO AVOID RISK OF ELECTRICAL SHOCK, BE SURE TO SHUT OFF POWER BEFORE INSTALLING OR SERVICING THIS FIXTURE.

NOTES: 1. Before installing, consult local electrical codes for wiring and grounding requirements.
2. READ AND SAVE THESE INSTRUCTIONS.

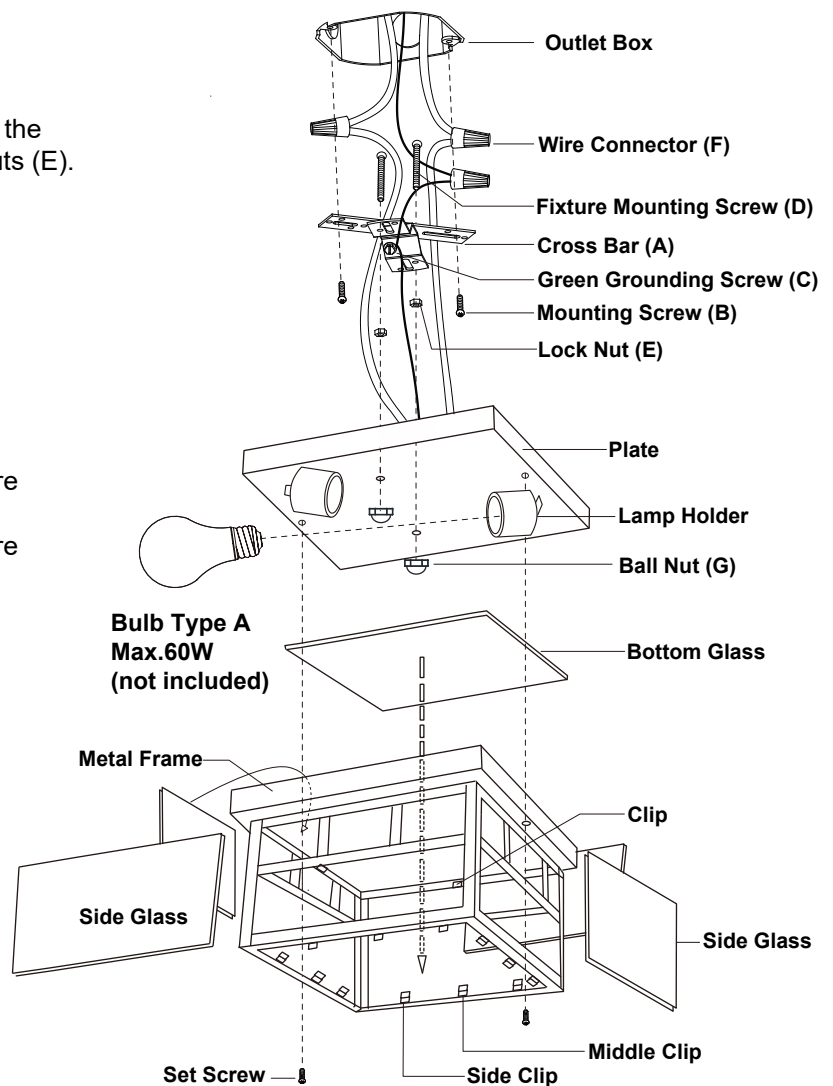
Hardware Package (Included):



Installation Steps

Turn off the power at fuse or circuit box

1. Thread two fixture mounting screws (D) through the cross bar (A), then secure them with two lock nuts (E).
2. Attach the cross bar (A) to the outlet box by using two mounting screws (B).
3. Unscrew set screw with the metal frame.
4. Pull out the outlet wires and housing grounding wire from the outlet box. Make wire connections using the wire connectors (F):
 - The black wire from the fixture to the black wire from the power source.
 - The white wire from the fixture to the white wire from the power source.
 - Attach the fixture grounding wire to the cross bar (A) with the green grounding screw (C). Then connect it to the house grounding wire with a wire connector (F).Carefully tuck the wires back into the outlet box.
5. Attach the plate to the cross bar (A) by inserting two fixture mounting screws (D), then secure it with the two ball nuts (G).
6. Install bulbs (not included). See the relamping label at socket area or packaging for maximum allowed wattage.
7. Place the bottom glass into the metal frame, then secure it with four middle clips which on the bottom of the metal frame.



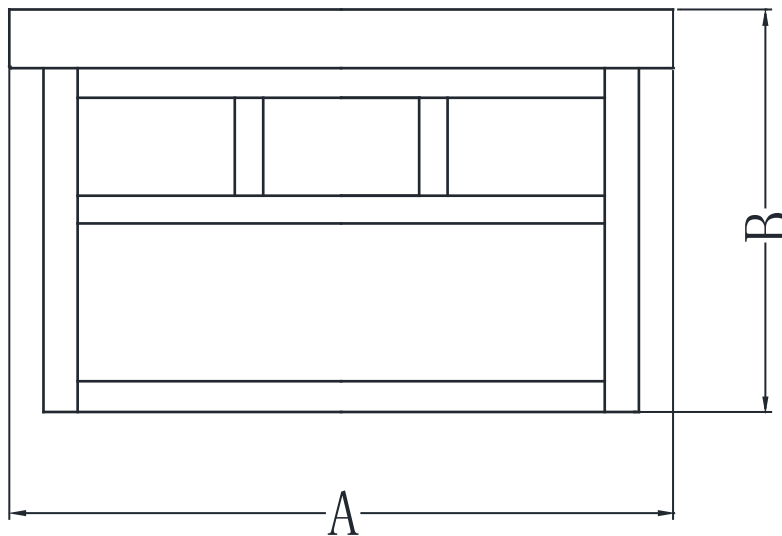
8. Place the side glasses inside the metal frame, then press the clips which on the top of the metal frame and the side clips which on the bottom of the metal frame to secure them.
9. Restore the metal frame assembly back to the plate, and then secure it with two set screws.

Turn on the power at fuse or circuit box

The following parts are available for re-order if damaged or missing.

Spare Parts List:

				 Mounting Hardware 5968MM(1 SET)	 Glass (4 PCS) 10020CS	 Glass (1 PCS) 10019CS
Cross Bar (A)	Mounting Screw (B)	Green Grounding Screw (C)	Fixture Mounting Screw (D)			
Lock Nut (E)	Wire Connector (F)	Ball Nut (G)				



A: 11-1/2"
B: 7"

1 Year Warranty

Vaxcel warrants all of our products against defects in workmanship and finishes for one year following the date of shipment.

Exclusions: This warranty does not include the failure of products from extreme acts of nature; environmental conditions not suited for the products intended use; operation in temperatures outside of the range specified in the instruction manual; usage with improper power supply, power surges or dips. For coastal locations, some corrosion is considered normal for the environment.

Vaxcel reserves the right to repair, replace or issue a credit for any properly installed product, provided it is returned per RMA instruction. This warranty is limited to the cost of the product only and does not extend to transportation, installation or replacement costs.

How can warranty service be obtained?

info@vaxcel.com

1-800-482-9235