

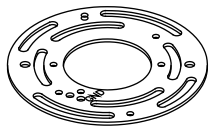
ASSEMBLY AND INSTALLATION INSTRUCTIONS

T0467

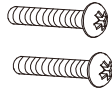
WARNING: Turn off the main power at circuit breaker before installing fixture.
AVERTISSEMENT: Coupez la source d'alimentation principale au panneau central de disjoncteurs avant d'installer le luminaire.

NOTES: 1. Before installing, consult local electrical codes for wiring and grounding requirements.
2. READ AND SAVE THESE INSTRUCTIONS.

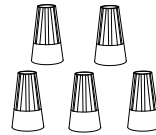
Hardware Package (included):



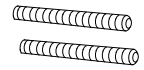
Mounting plate (A)



Mounting Screw (B)



Wire Connector (C)



Headless screw (D)



Green Grounding Screw (E)



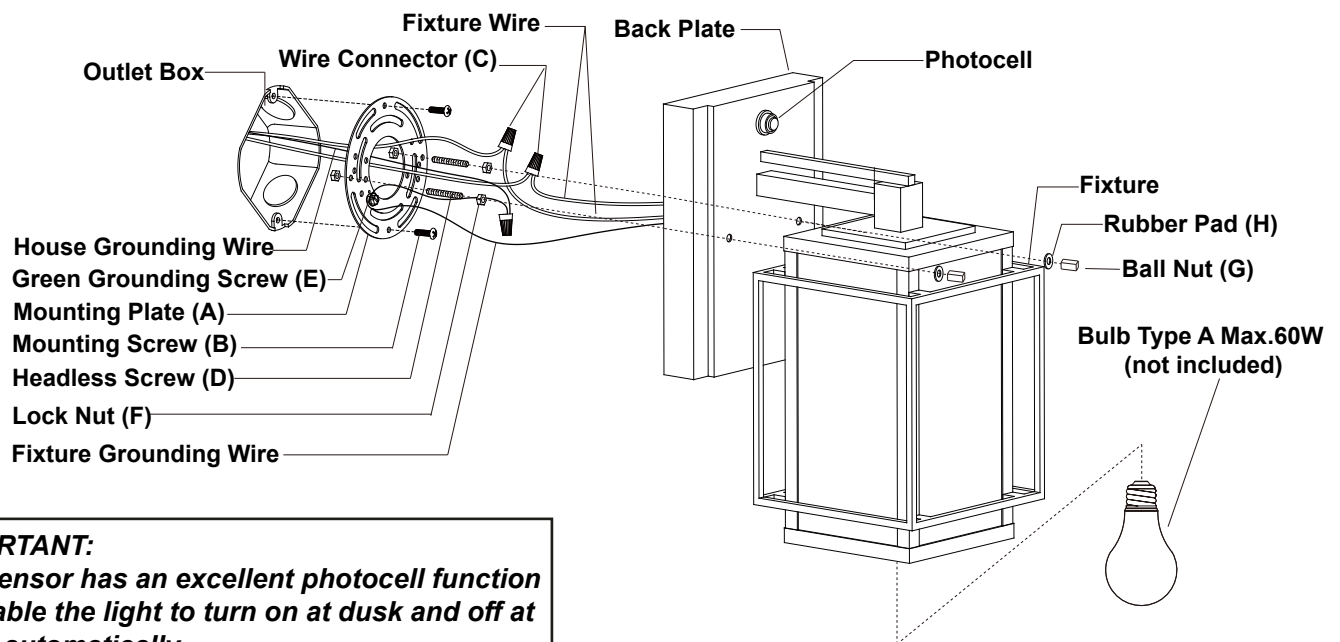
Lock Nut (F)



Ball Nut (G)



Rubber Pad (H)



IMPORTANT:

The sensor has an excellent photocell function to enable the light to turn on at dusk and off at dawn automatically.

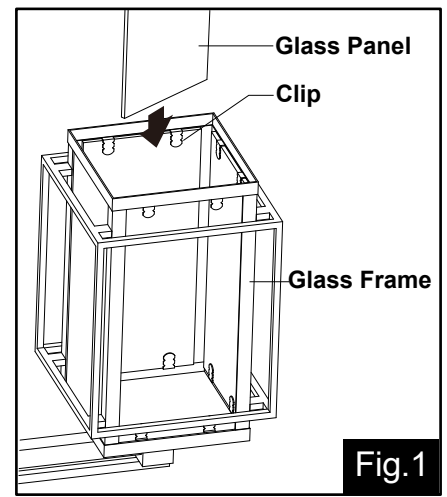
Turn off the power at fuse or circuit box

1. Thread two headless screws (D) through the mounting plate (A), then secure them with four lock nuts (F) (two on each side of the mounting plate). Adjust the length of the headless screws (D) if necessary.

Note: Make sure that the headless screws (D) are lined up horizontally, to ensure that the fixture will be level.

2. Attach the mounting plate (A) to the outlet box by using two mounting screws (B).

- Take a glass panel and gently slide it into the glass frame in place, secure it by pressing two clips on top side of the glass frame and two clips on the bottom of the glass frame. Repeat with the other glass panels. (See Fig.1)



- Pull out the source wires from the outlet box. Make wire connections using wire connectors (C) as follows:
 - Connect the hot wire (usually black insulation) from the fixture to the black wire from the power source.
 - Connect the neutral wire (usually white insulation) from the fixture to the white wire from the power source.
 - Attach the fixture grounding wire (usually green with the insulation or bare wire) to the mounting plate (A) green grounding screw. Then, depending on local code connect it to the house grounding wire with the wire connector (C).

Carefully put all of the wires back into the outlet box.

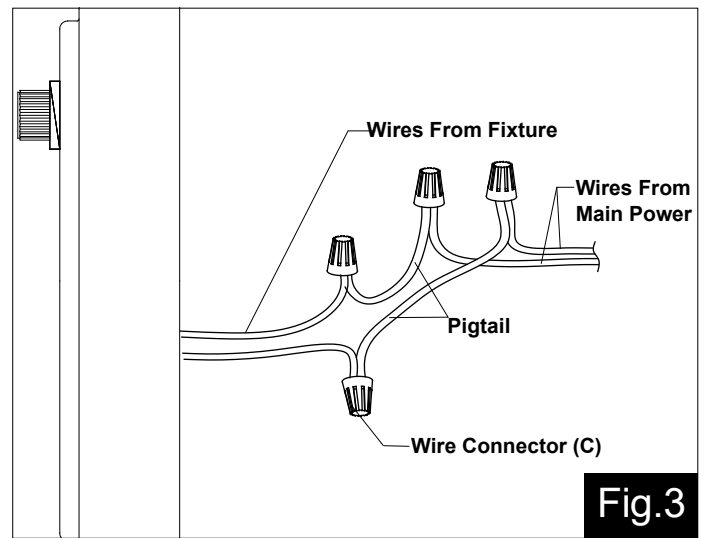
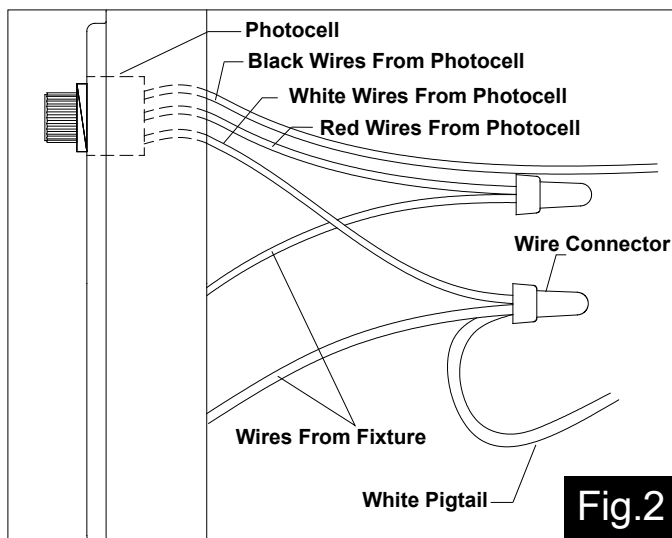
- Attach the back plate to the mounting plate (A) by inserting the headless screws (D), then secure it with two rubber pads (H) and two ball nuts (G).

CAUTION: With silicone caulking compound, caulk completely around where the back plate meets with the wall surface to prevent water from seeping into the outlet box.

- Install a bulb (not included). See relamping label at socket area or packaging for maximum wattage allowed.

Turn on the power at fuse or circuit box

Operation the Unit Without Photocell



- Turn off the power at the main fuse or circuit breaker box before starting installation.
- Loosen the wire connectors connected with the wires from photocell. (See Fig.2)

Note: Do not move the photocell to prevent water from seeping into the outlet box.

3. Take a white pigtail and black pigtail and make wire connections using wire connectors (C): (See Fig.3)
 - a. The black wire from the fixture to one end of the black pigtail.
 - b. The white wire from the fixture to one end of the white pigtail.
 - c. The other end of the black pigtail to the black wire from the power source.
 - d. The other end of the white pigtail to the white wire from the power source.
 Put all wires back into the back plate of the fixture.

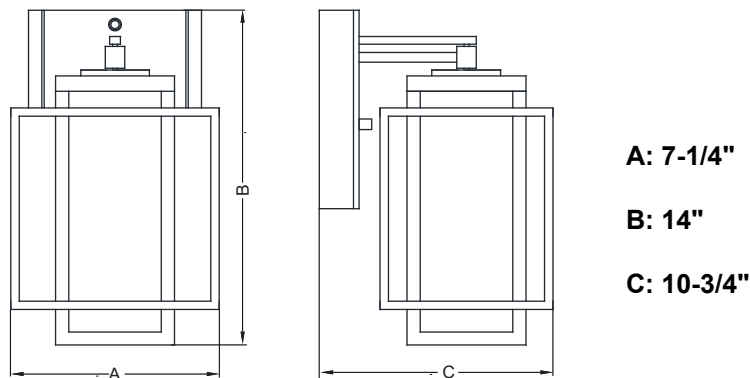
Turn on the power at fuse or circuit box

The following parts are available for re-order if damaged or missing.

Spare Parts List:

Diagram illustrating the Spare Parts List components:

- Mounting plate (A)
- Mounting Screw (B)
- Wire Connector (C)
- Headless screw (D)
- Green Grounding Screw (E)
- Lock Nut (F)
- Ball Nut (G)
- Rubber Pad (H)
- Assembly Kit 6000MM (1SET)
- Glass X 4 10032RG



5 Year Limited Warranty

Vaxcel warrants all of our products against defects in workmanship and finishes for one year following the date of shipment.

In addition:

- Any product with an integrated motion sensor or dusk-to-dawn photocell is supported by a 5-year warranty for the functionality of the product.
- Any product with integrated LED modules is covered by a 5-year warranty on the LED functionality.

Exclusions: This warranty does not include the failure of products from extreme acts of nature; environmental conditions not suited for the products intended use; operation in temperatures outside of the range specified in the instruction manual; usage with improper power supply, power surges or dips. For coastal locations, some corrosion is considered normal for the environment.

Vaxcel reserves the right to repair, replace or issue a credit for any properly installed product, provided it is returned per RMA instruction. This warranty is limited to the cost of the product only and does not extend to transportation, installation or replacement costs.

How can warranty service be obtained?

info@vaxcel.com

1-800-482-9235