

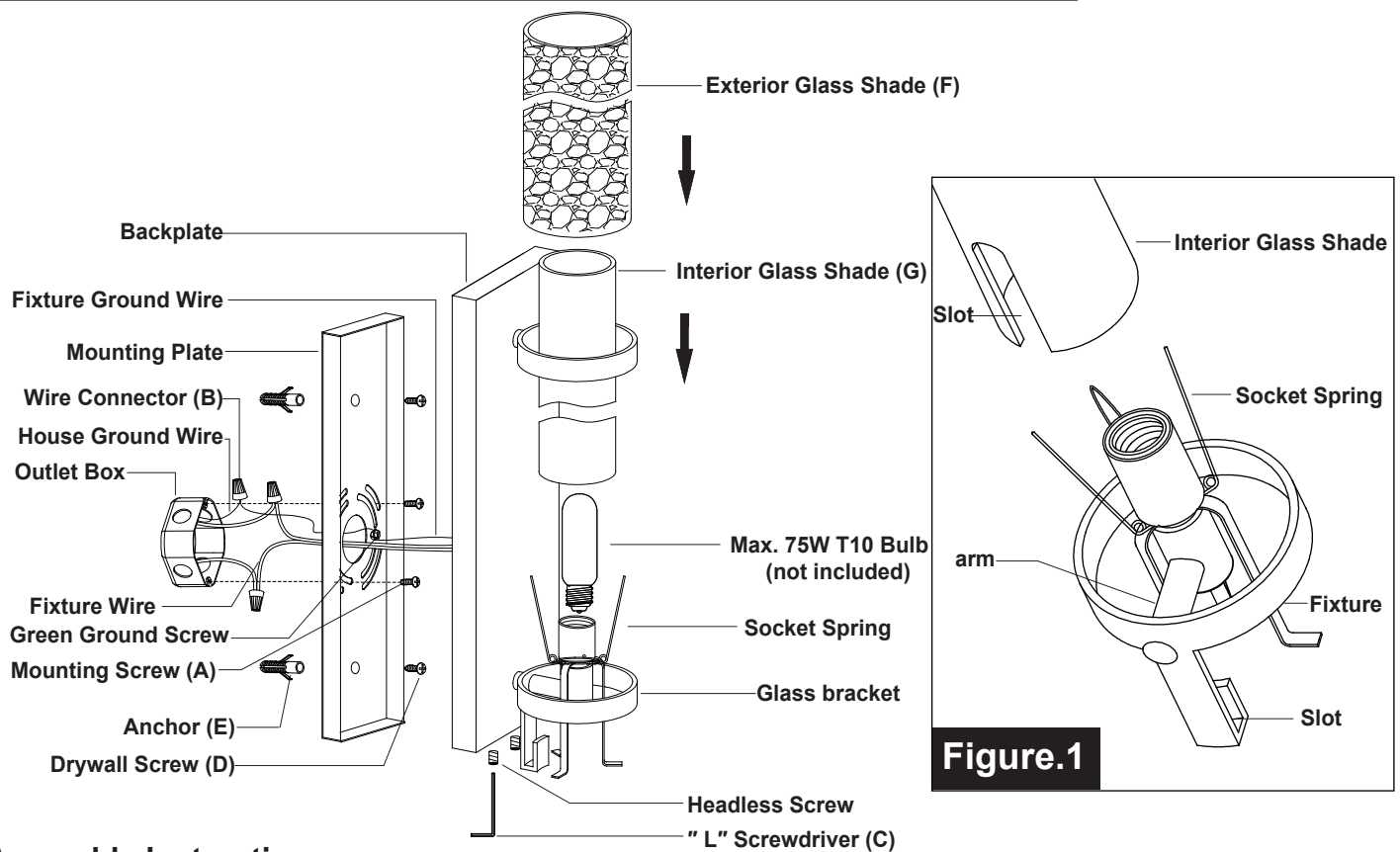
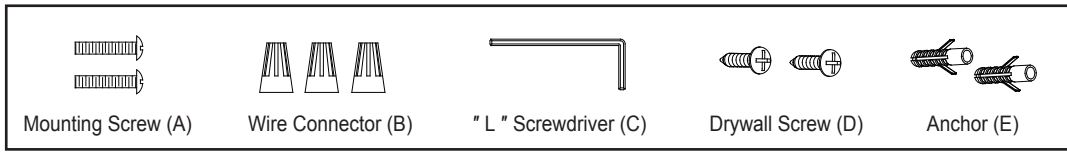
ASSEMBLY AND INSTALLATION INSTRUCTIONS

W0048 / W0124 / W0310

WARNING: TO AVOID RISK OF ELECTRICAL SHOCK, BE SURE TO SHUT OFF POWER WHILE INSTALLING OR SERVICING THIS FIXTURE.

NOTES: 1. Before installing, consult local electrical codes for wiring and grounding requirements.
2. Read and save these instructions.

Hardware Package (included):



Assembly Instructions:

Turn off the power at fuse

1. Unscrew the headless screws from backplate by using "L" screwdriver (C), then remove the mounting plate.
2. Attach the mounting plate to the wall.
 - a) If the wall material is wood:
Attach the mounting plate to the outlet box by using two mounting screws (A), then secure the drywall screws (D) through the set holes to the wall.
 - b) If the wall material is cement:
Place the mounting plate to the outlet box and mark the target on the wall from the set hole for drilling two holes. Remove the mounting plate. Drill the holes and thread the anchors (E) into the holes, then attach the mounting plate to the outlet box by using two mounting screws (A). Secure the drywall screws (D) through the set holes into the anchors (E).

3. Pull out the source wires from the outlet box. Make wire connections using wire connectors (B) as follows:
 - Connect the black (hot) wire from the fixture to the black (hot) wire from the power source.
 - Connect the white (neutral) wire from the fixture to the white (neutral) wire from the power source.
 - Attach the fixture ground wire to the mounting plate with the green ground screw, then connect it to the house ground wire with a wire connector (B). If your outlet box does not have a house ground wire, then wrap the fixture ground wire around the green ground screw.
 Carefully put the wires back into the outlet box.
4. Attach the backplate to the mounting plate, secure the headless screws from the bottom hole of the backplate onto the bottom side of the mounting plate, using supplied "L" screwdriver (C).
5. Install the bulb (not included). See relamping label at socket area or packaging for maximum wattage allowed.
6. Press in the three socket springs. Slide the interior glass shade (G) over the socket springs and into the glass bracket. Adjust the slot in the interior glass shade (G) over the arm from the backplate. Slide the exterior glass shade (F) over the interior glass shade (G) and into the glass bracket. Adjust the slot in the exterior glass shade (F) over the arm from the backplate.

Turn on the power at the main fuse or circuit breaker box.

The following parts are available for reorder if damaged or missing.

Spare Parts List:

<p>Mounting Screw (A)</p>	<p>Wire Connector (B)</p>	<p>"L" Screwdriver (C)</p>	<p>Exterior Glass Shade (F) 9380CW</p>	<p>Interior Glass Shade (G) 9381FO</p>
<p>Drywall Screw (D)</p>	<p>Anchor (E)</p>	<p>↓</p> <p>Assembly Kit (1 SET) 4595MM For W0048 5098MM For W0124 5963MM For W0310</p>		

A: 4" B: 18-1/2" C: 4-1/2"

1 Year Warranty

Vaxcel warrants all of our products against defects in workmanship and finishes for one year following the date of shipment.

Exclusions: This warranty does not include the failure of products from extreme acts of nature; environmental conditions not suited for the products intended use; operation in temperatures outside of the range specified in the instruction manual; usage with improper power supply, power surges or dips. For coastal locations, some corrosion is considered normal for the environment.

Vaxcel reserves the right to repair, replace or issue a credit for any properly installed product, provided it is returned per RMA instruction. This warranty is limited to the cost of the product only and does not extend to transportation, installation or replacement costs.

How can warranty service be obtained?
info@vaxcel.com
 1-800-482-9235