

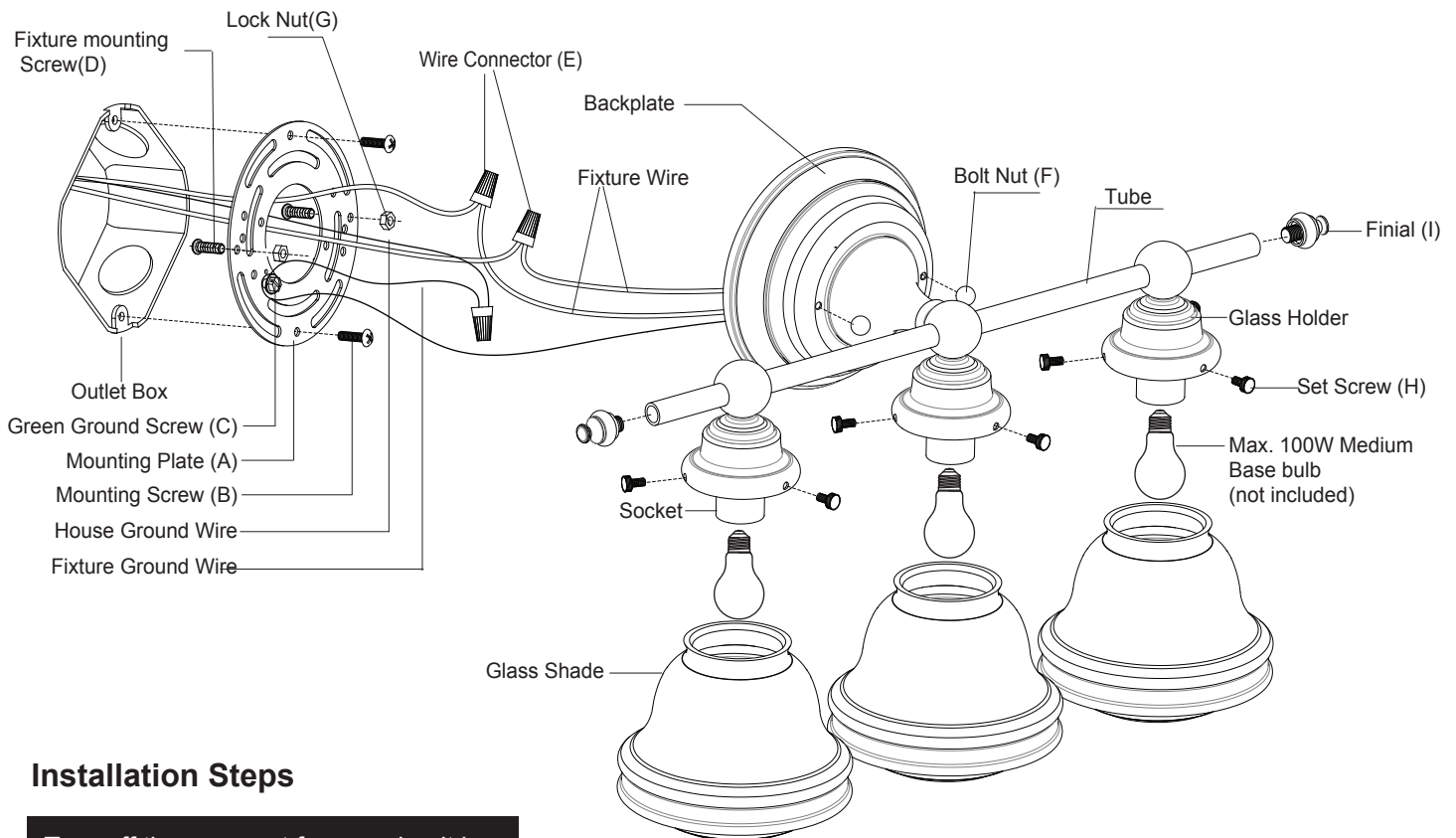
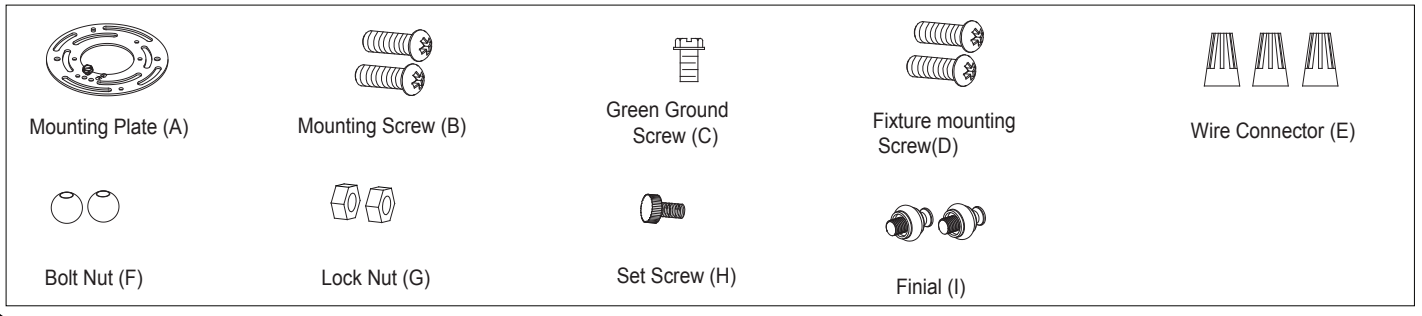
ASSEMBLY AND INSTALLATION INSTRUCTIONS

W0170 / W0171 / W0190 / W0307

WARNING: TO AVOID RISK OF ELECTRICAL SHOCK, BE SURE TO SHUT OFF POWER WHILE INSTALLING OR SERVICING THIS FIXTURE.

NOTES: 1. Before installing, consult local electrical codes for wiring and grounding requirements.
2. Read and save these instructions.

Hardware Package (included):



Installation Steps

Turn off the power at fuse or circuit box.









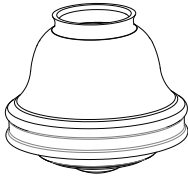

1. Unscrew two bolt nuts (F), and then remove the mounting plate (A) from the backplate.
2. Attach the mounting plate (A) to the outlet box by using two mounting screws (B).
3. Pull out the source wires from the outlet box. Make wire connections using wire connectors (E) as follow:
 - Connect the hot wire (black insulation) from the fixture to the black wire from the power source.
 - Connect the neutral wire (white insulation) from the fixture to the white wire from the power source.
 - Attach the fixture ground wire (bare wire) to the mounting plate (A) with the green ground screw (C), and then connect it to the house ground wire with the wire connector (E).Carefully put the wires back into the outlet box.

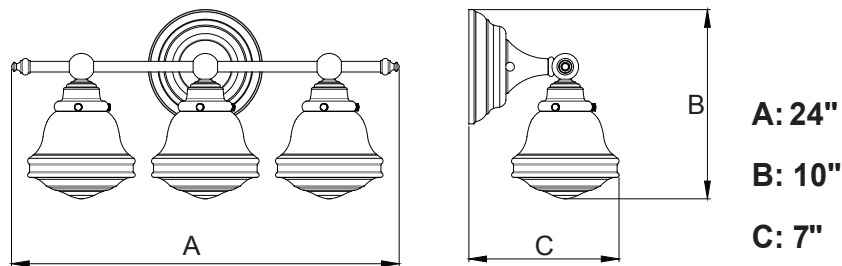
4. Attach the backplate to the mounting plate (A) by inserting two fixture mounting screws (D), and then secure it with two bolt nuts (F).
5. Install 3 x 60W Max. medium base bulbs (not included). Check relamping label at socket area or packaging for maximum wattage allowed.
6. Loose three set screws (H) and then attach the glass shade to the glass holder, finally secure it with three screws (H). Repeat for the other glass shades. (Don't over tighten.)
7. Screw two finials (I) to two sides of tube tightly.

Turn on the power at fuse or circuit box.

The following parts are available for reorder if damaged or missing.

Spare Parts List:

				Assembly Kit 5235MM (1 SET) for W0170/W0190 5236MM (1 SET) for W0171/W0307
Mounting Plate (A)	Mounting Screw (B)	Green Ground Screw (C)	Fixture mounting Screw (D)	
				 Glass Shade 9680MI(3PCS) for W0170/W0171 9681CS(3PCS) for W0190/W0307
Wire Connector (E)	Bolt Nut (F)	Lock Nut (G)	Set Screw (H)	
			Finial (I)	



1 Year Warranty

Vaxcel warrants all of our products against defects in workmanship and finishes for one year following the date of shipment.

Exclusions: This warranty does not include the failure of products from extreme acts of nature; environmental conditions not suited for the products intended use; operation in temperatures outside of the range specified in the instruction manual; usage with improper power supply, power surges or dips. For coastal locations, some corrosion is considered normal for the environment.

Vaxcel reserves the right to repair, replace or issue a credit for any properly installed product, provided it is returned per RMA instruction. This warranty is limited to the cost of the product only and does not extend to transportation, installation or replacement costs.

How can warranty service be obtained?

info@vaxcel.com
1-800-482-9235