

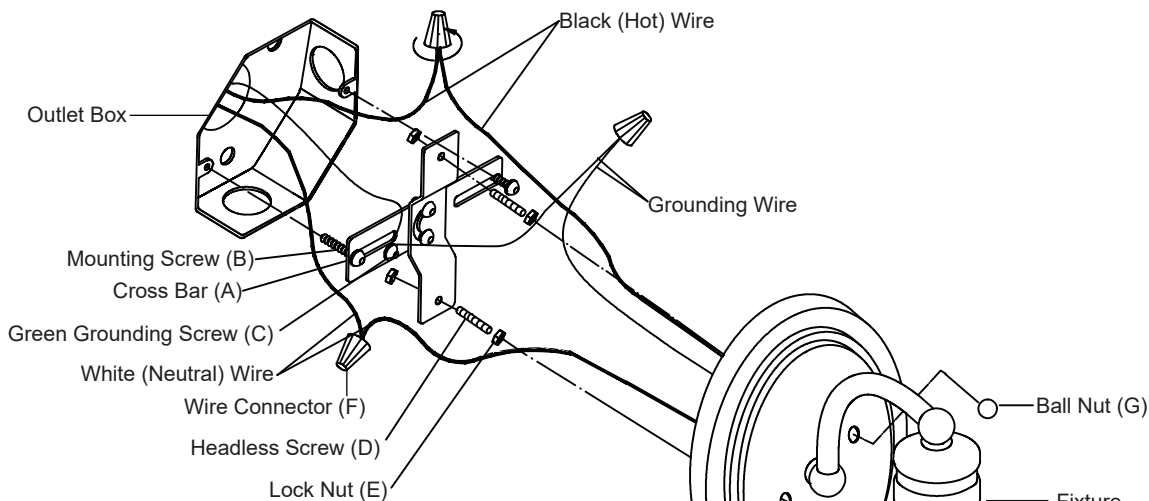
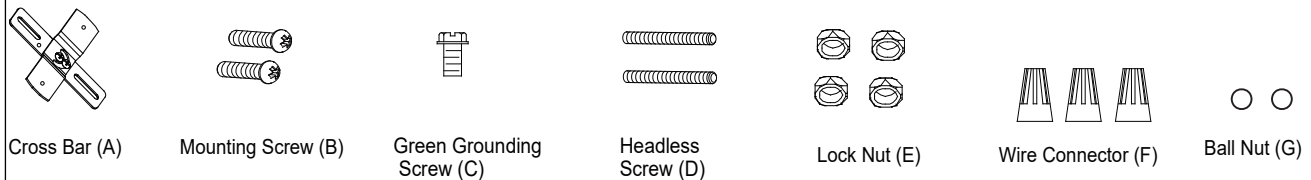
ASSEMBLY AND INSTALLATION INSTRUCTIONS

W0283

WARNING: TO AVOID RISK OF ELECTRICAL SHOCK, BE SURE TO SHUT OFF POWER BEFORE INSTALLING OR SERVICING THIS FIXTURE.

NOTES: 1. Before installing, consult local electrical codes for wiring and grounding requirements.
2. READ AND SAVE THESE INSTRUCTIONS.

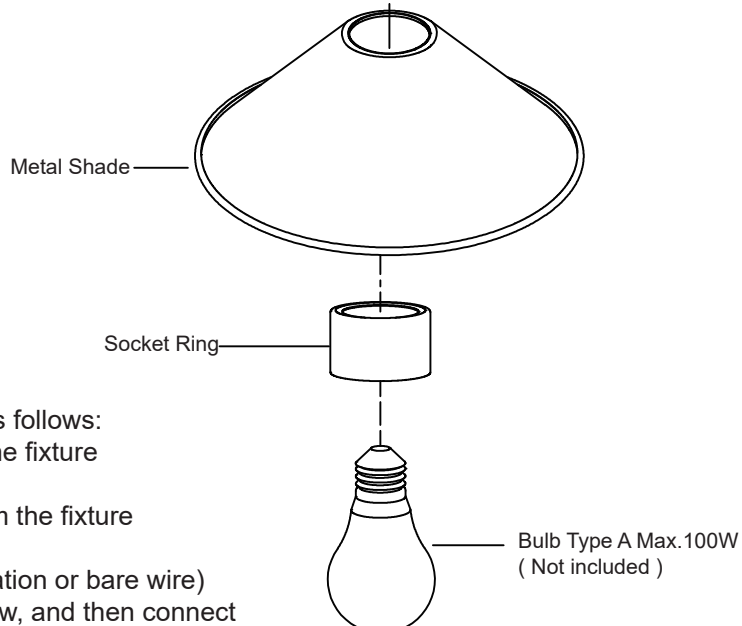
Hardware Package (included):



Installation Steps

Turn off the power at fuse or circuit box

1. Thread two headless screws through the cross bar, secure them with four lock nuts (two on each side of the cross bar). Adjust the length of the headless screws if necessary.
Note: Make sure that headless screws are lined up horizontally, in order to ensure that the fixture will be level.
2. Attach the cross bar to the outlet box by using two mounting screws.
3. Pull out the source wires from the outlet box. Make wire connections using wire connectors as follows:
 - Connect the hot wire (black insulation) from the fixture to the black wires from the power source.
 - Connect the neutral wire (white insulation) from the fixture to the white wires from the power source.
 - Attach the fixture grounding wire (green insulation or bare wire) to the cross bar with the green grounding screw, and then connect it to the house grounding wire with the wire connector.Carefully put the wires back into the outlet box.



4. Attach the back plate to the cross bar by inserting the headless screw, then secure it with the two ball nuts.
5. Attach the metal shade onto the fixture and tighten it with the socket ring.
6. Install 1X100W Max medium base bulb (not included).

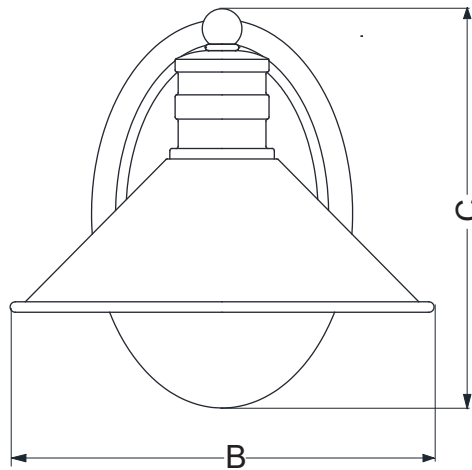
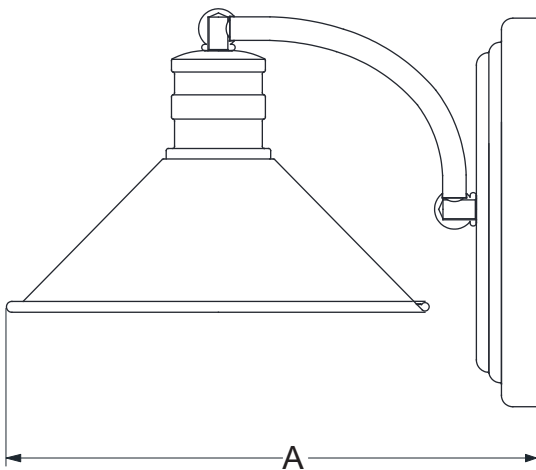
Turn on the power at fuse or circuit box

The following parts are available for re-order if damaged or missing.

Spare Parts List:

							 5906SR Socket Ring
Cross Bar (A)	Mounting Screw (B)	Green Grounding Screw (C)	Headless Screw (D)	Lock Nut (E)	Wire Connector (F)	Ball Nut (G)	

→ Assembly Kit 5904 MM (1SET)



- A: 10"
- B: 8"
- C: 7-1/4"

1 Year Warranty

Vaxcel warrants all of our products against defects in workmanship and finishes for one year following the date of shipment.

Exclusions: This warranty does not include the failure of products from extreme acts of nature; environmental conditions not suited for the products intended use; operation in temperatures outside of the range specified in the instruction manual; usage with improper power supply, power surges or dips. For coastal locations, some corrosion is considered normal for the environment.

Vaxcel reserves the right to repair, replace or issue a credit for any properly installed product, provided it is returned per RMA instruction. This warranty is limited to the cost of the product only and does not extend to transportation, installation or replacement costs.

How can warranty service be obtained?
 info@vaxcel.com
 1-800-482-9235