

# ASSEMBLY AND INSTALLATION INSTRUCTIONS

C0189

**WARNING:** TO AVOID RISK OF ELECTRICAL SHOCK, BE SURE TO SHUT OFF POWER BEFORE INSTALLING OR SERVICING THIS FIXTURE.

**NOTES:** 1. Before installing, consult local electrical codes for wiring and grounding requirements.  
2. Read and save these instructions.

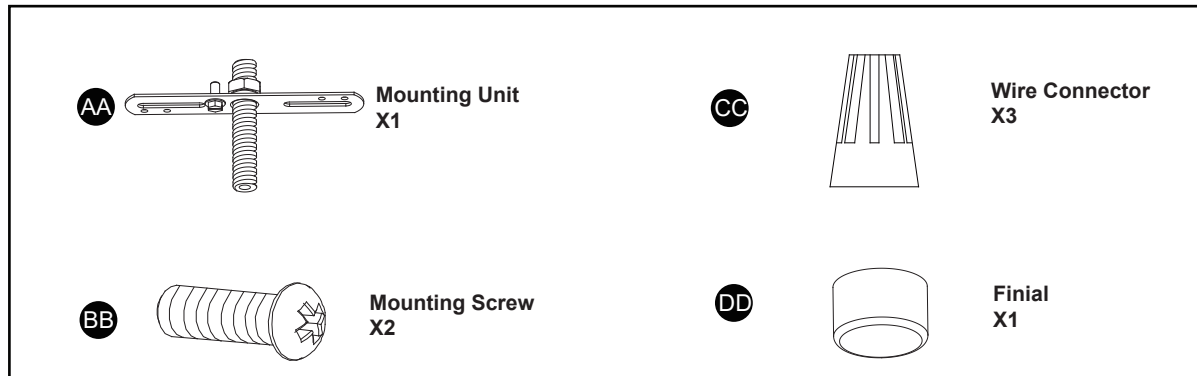
## Important to Know

1. Read all instructions carefully before installation and operation.
2. If you are not familiar with state and local electrical codes, it is recommended that you consult with a qualified electrician.
3. Before installation, shut off power at the main fuse or circuit breaker box. Be aware that simply turning off the wall switch is not sufficient to prevent an electrical shock.
4. This fixture requires a 120 VAC, 60 Hz power source.
5. Do not attempt to take the lantern apart; there are no serviceable parts inside.

**Maximum Wattage: 60W Incandescent Bulb**

**Work Temperature: - 4°F~104°F**

**HARDWARE CONTENTS** Note: Hardware not shown actual size.



**ProLine**  
by VAXCEL

## ⚠ SAFETY INFORMATION

Please read and understand this entire manual before attempting to assemble, operate or install the product.

### WARNING

- Turn off electricity at main fuse box (or circuit breaker box) before beginning installation by removing fuse (or switching off circuit breaker).
- Be careful not to damage or cut the wire insulation (covering) during fixture installation. Do not permit wires to contact any surface having a sharp edge. To do so may damage or cut the wire insulation, which could cause serious injury or death from electric shock.

### CAUTION

- All electrical connections must be in agreement with local codes, ordinances or the national electric code (NEC). Contact your municipal building department to learn about your local codes, permits and/or inspections.
- Risk of fire – most dwellings built before 1985 have supply wire rated for 140°F/60°C. Consult a qualified electrician before installation.
- Do not connect this fixture to an electrical system that does not provide a means for equipment grounding. Never use a fixture in a two-wire system that is not grounded. If you are not sure your lighting system has a grounding means, do not attempt to install this fixture. Contact a qualified, licensed electrician for information with regards to proper grounding methods as required by the local electrical code in your area.

## PREPARATION

Before beginning assembly, installation or operation of product, make sure all parts are present. Compare parts with package contents list and diagram on previous page. If any part is missing or damaged, do not attempt to assemble, install or operate the product. Contact customer service for replacement parts.

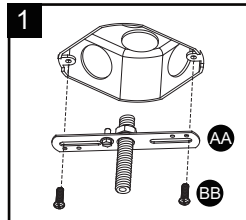
Tools Required for Assembly (not included): Screwdriver, Phillips Screwdriver, Pliers, Electrical Tape, Wire Cutters, Safety Glasses, Ladder, Wire Stripper.

## ASSEMBLY INSTRUCTIONS

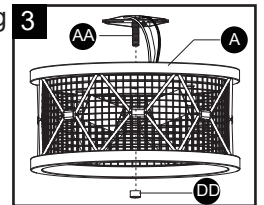
Turn off the power at fuse or circuit box.

1. Attach mounting unit(AA) to outlet box by using two mounting screws(BB).

**Note: The depth of threaded pipe on the mounting unit may need to be adjusted to properly fit the fixture.**

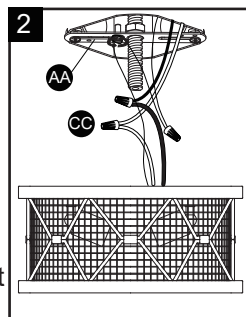


3. Attach the fixture(A) to the mounting unit(AA) by inserting preinstalled threaded pipe into the center hole of the fixture(A), and then secure it with a finial(DD).



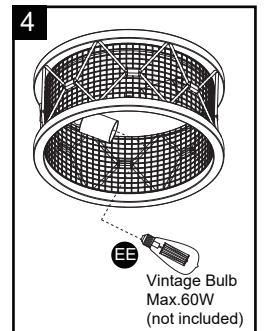
2. Connect fixture black wire to house black wire and fixture white wire to house white wire using wire connectors(CC) provided. Connect the copper wire or green / yellow wire on the light fixture to the mounting unit(AA) by securing it with the preinstalled grounding screw, and then connect it to the house grounding wire with the wire connector(CC).

Tuck all the wires into outlet box.



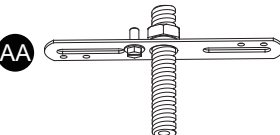
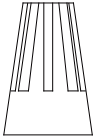
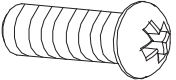
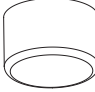
4. Install two Vintage Bulbs(EE) Max.60W (not included)

Turn on the power at fuse or circuit box.



The following parts are available for re-order if damaged or missing. Call toll free at 800-482-9235.

Spare Parts List:

	Mounting Unit X1		Wire Connector X3
	Mounting Screw X2		Finial X1

→ Assembly Kit  
5701MM (1 SET)

## CARE AND MAINTENANCE

- To clean, turn off and wipe with a damp, non-abrasive cloth.

## TROUBLESHOOTING

### 1) The light does not come on at all:

- a) Make sure the wall switch and circuit breaker are on.
- b) Make sure the wiring is correct.

### 2) Fuse blows or circuit trips when light is turned on.

- a) Check for crossed wires, ensure wiring is correct.

If unable to fix any of the above issues, please consult a certified electrician.